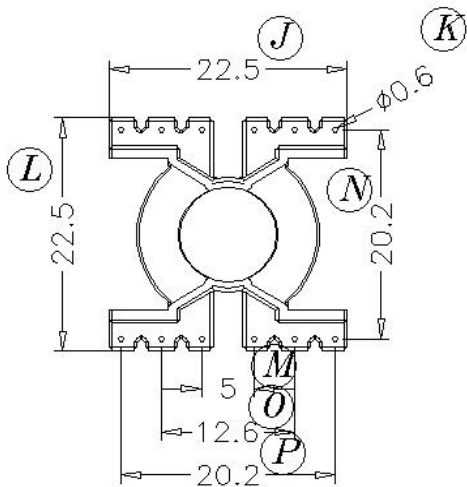
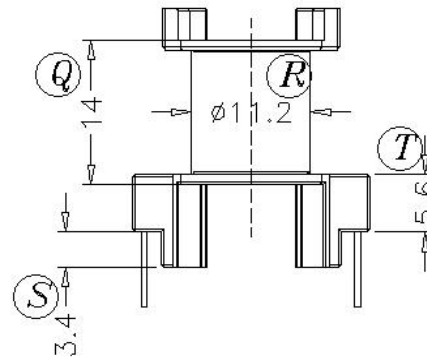
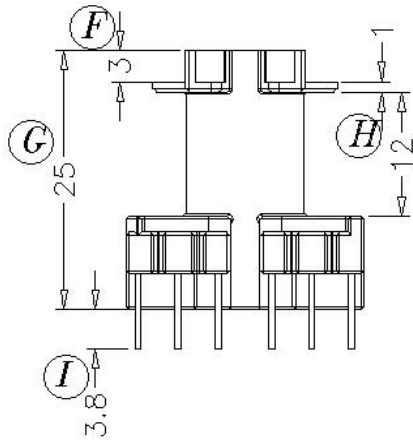
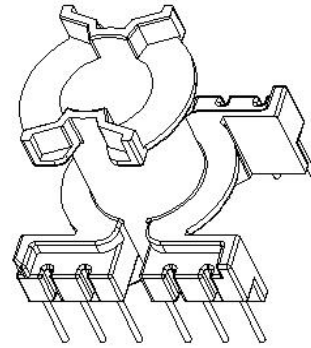
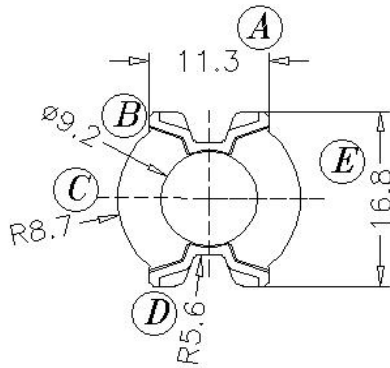
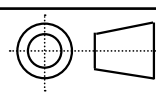


Core Fit Reference

1067	Forroxcube:PQ0/20_***_***	Fair-Rite:66XX202021	Magnetics:X-42020-UG
	TDK:PCXXPQ20/20Z-12	Ferrite intl:20-20-00	Simens:B65875A



	Scale	Tolerance (mm)			Terminal Plating	Terminal Material	No of Terminals	
	None	0-4mm +/-0.1	4-16mm +/-0.2	16-60mm +/-0.3	100% Sn	CP Wire	12	

LODESTONE PACIFIC

CHINA FACTORY
www.lodestonepacific.com

Molding Material	UL File No.	Rating	Class
T375J	E59481	UL94-V0	F
Bobbin Part Number			Rev No
B-PQ2020V-12-1-PH3			1