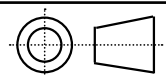
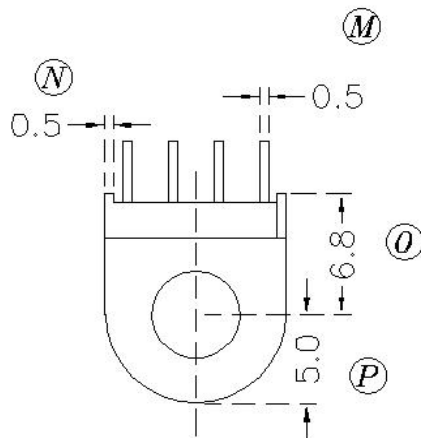
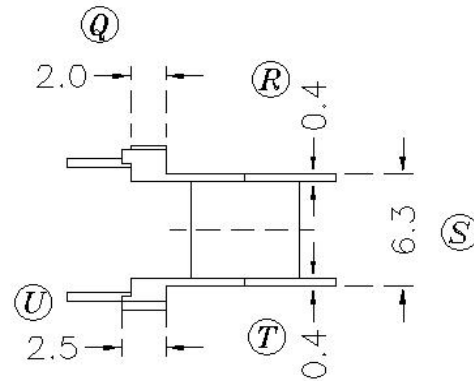
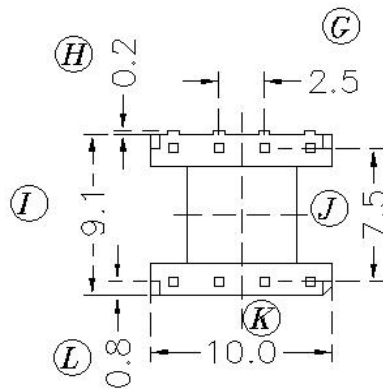
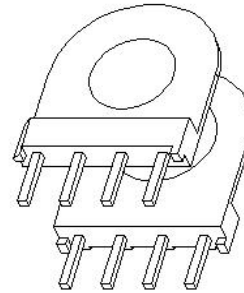
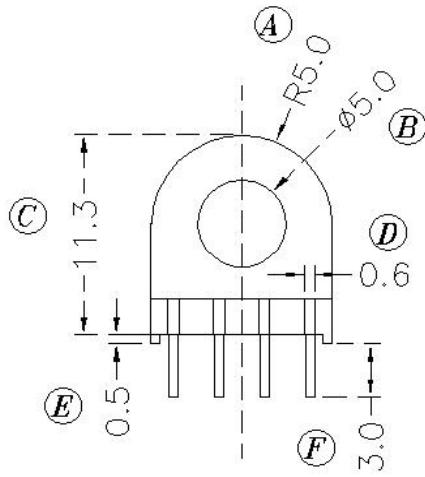


Core Fit Reference

0938	Forroxcube:EP13-***-****	Fair-Rite:65X131321	Magnetics:XX-41313-UG
	TDK:XXEP13-Z	Ferrite intl:13-06-09	Simens:B65843



Scale	Tolerance (mm)			Terminal Plating	Terminal Material	No of Terminals	
None	0-4mm +/-0.1	4-16mm +/-0.2	16-60mm +/-0.3	100% Sn	CP Wire	8	

LODESTONE PACIFIC
NJD CHINA FACTORY
www.lodestonepacific.com

Molding Material	UL File No.	Rating	Class
FR50	E41938	UL94-V0	F
Bobbin Part Number			Rev No
B-EP13H-8-1-GFN			1