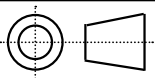
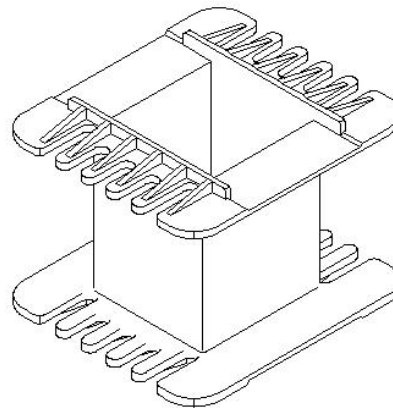
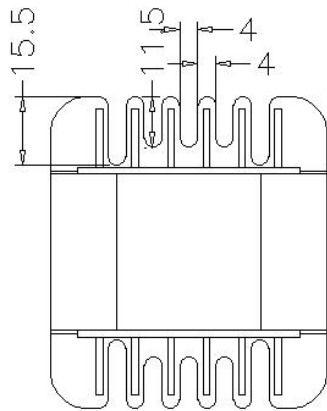
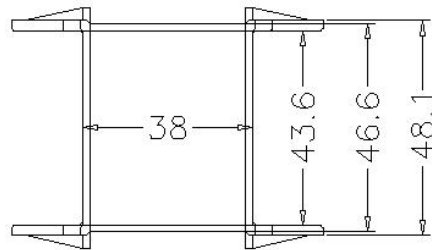
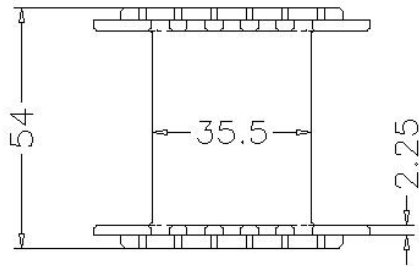
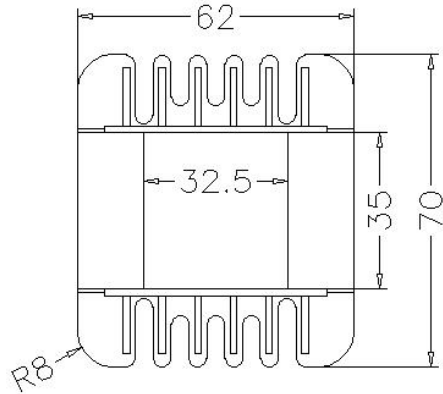




Core Fit Reference

1422	EI-96 Metric	EI-125 American
------	-----------------	--------------------



Scale	Tolerance (mm)			Terminal Plating	Terminal Material	No of Terminals	
None	0-4mm +/-0.1	4-16mm +/-0.2	16-60mm +/-0.3	100% Sn	CP Wire		



Molding Material	UL File No.	Rating	Class
70G33L	E41938	UL94-HB	F
Bobbin Part Number			Rev No
B-EIM96X35-1-GFN2			1