

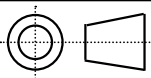
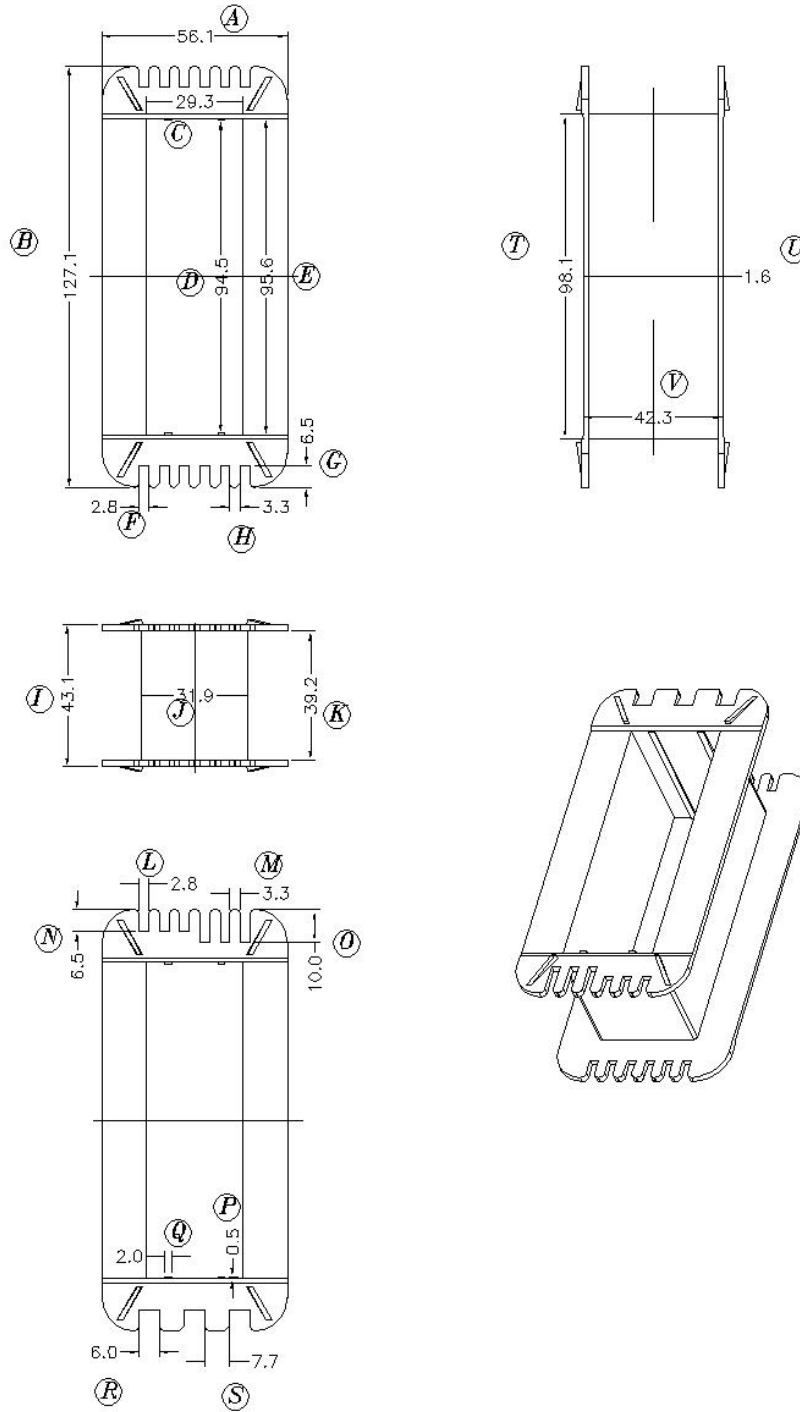


Core Fit Reference

0716

EI-86
Metric

EI-112
American



Scale	Tolerance (mm)		
None	0-4mm +/-0.1	4-16mm +/-0.2	16-60mm +/-0.3

Terminal Plating	Terminal Material	No of Terminals	
100% Sn	CP Wire		

Molding Material	UL File No.	Rating	Class
FR530	E41938	UL94-V0	N

Bobbin Part Number Rev No

B-EIM86X96-1-PET 1

