



Core Fit Reference

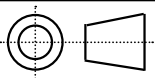
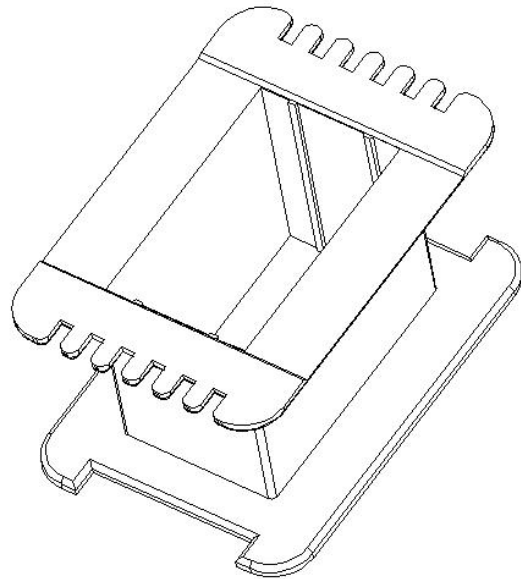
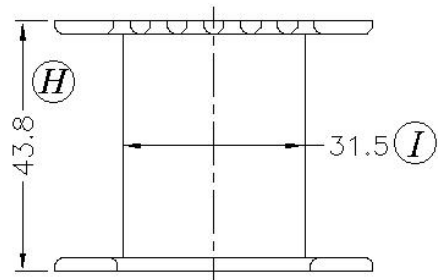
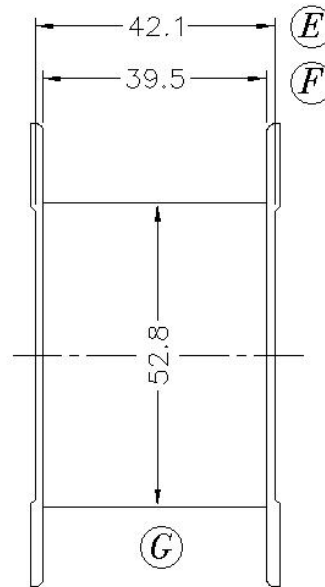
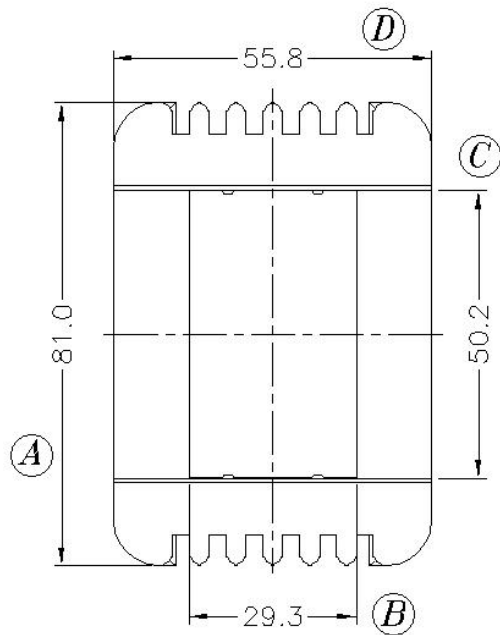
0334

EI-86

EI-112

Metric

American



Scale	Tolerance (mm)		
None	0-4mm +/-0.1	4-16mm +/-0.2	16-60mm +/-0.3

Terminal Plating	Terminal Material	No of Terminals	
100% Sn	CP Wire		



Molding Material	UL File No.	Rating	Class
FR50	E41938	UL94-V0	F
Bobbin Part Number			Rev No
B-EIM86X50-1-GFN			1