

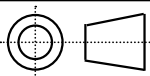
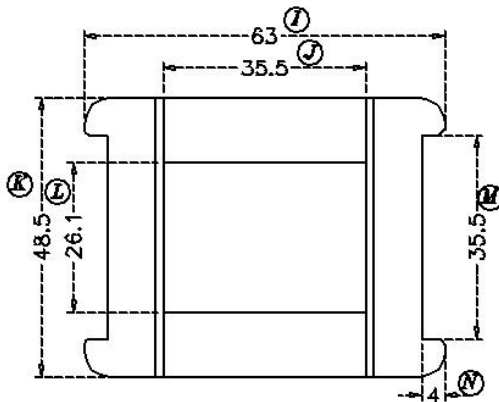
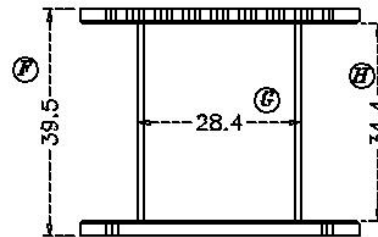
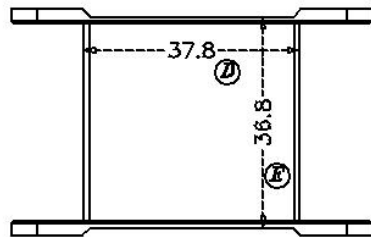
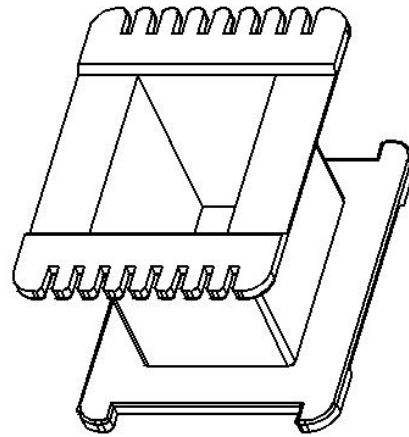
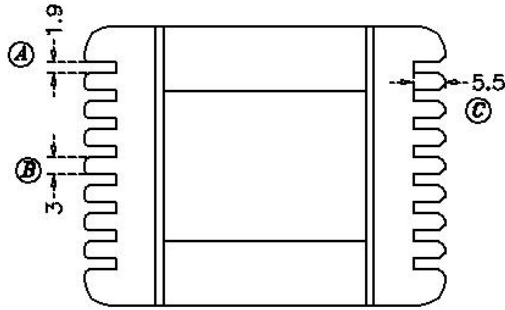


Core Fit Reference

1323

EI-76  
Metric

EI-100  
American



Scale	Tolerance (mm)			Terminal Plating	Terminal Material	No of Terminals	
None	0-4mm +/-0.1	4-16mm +/-0.2	16-60mm +/-0.3	100% Sn	CP Wire		



Molding Material	UL File No.	Rating	Class
70G33L	E41938	UL94-HB	F
Bobbin Part Number			Rev No
B-EIM76X35-1-GFN2			1