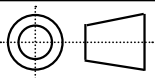
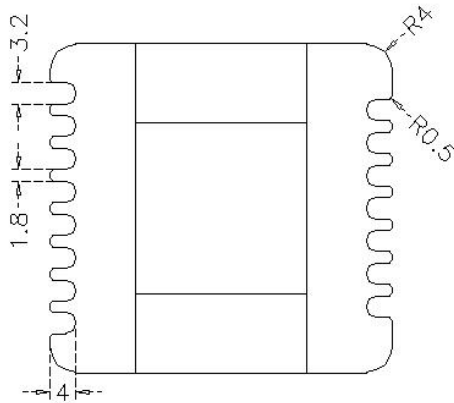
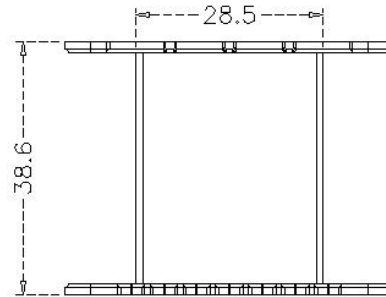
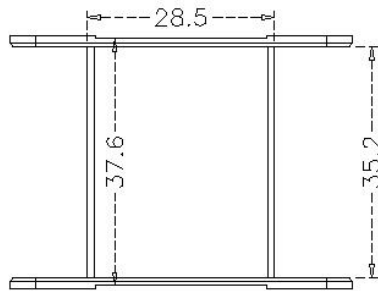
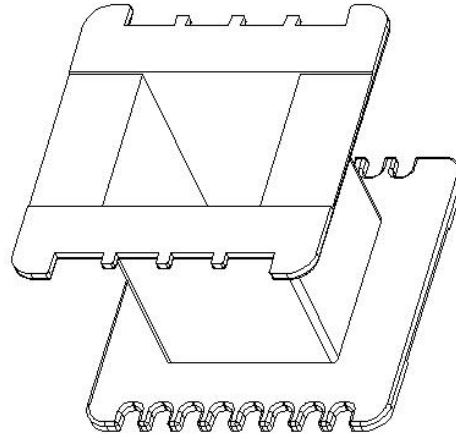
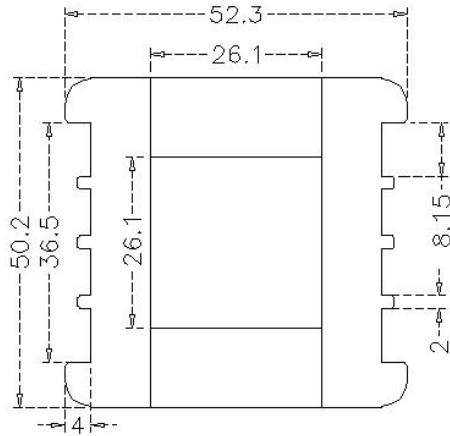




Core Fit Reference

1309		EI-76	EI-100
		Metric	American



Scale	Tolerance (mm)			Terminal Plating	Terminal Material	No of Terminals	
None	0-4mm +/-0.1	4-16mm +/-0.2	16-60mm +/-0.3	100% Sn	CP Wire		



Molding Material	UL File No.	Rating	Class
101L(Zytel)	E41938	UL94-V2	B
Bobbin Part Number			Rev No
B-EIM76X26-1-GFN3			1