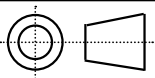
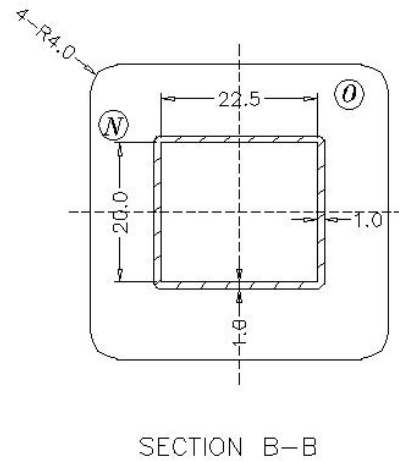
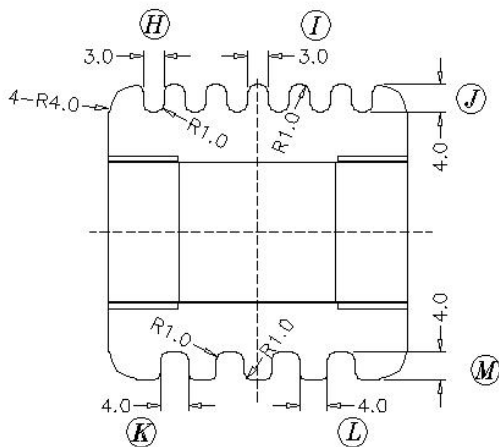
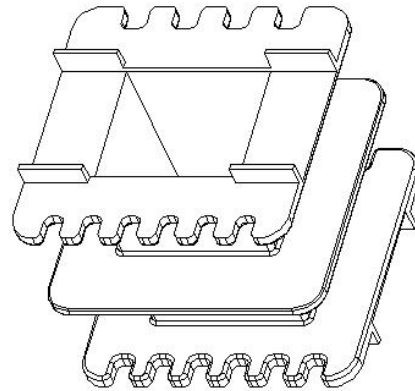
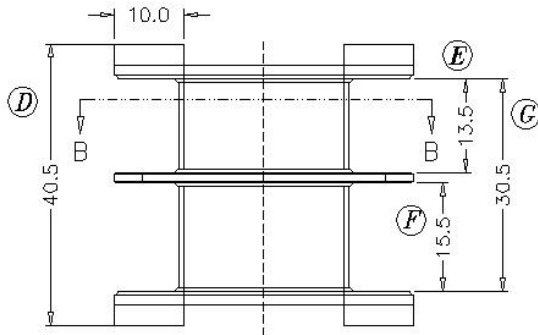
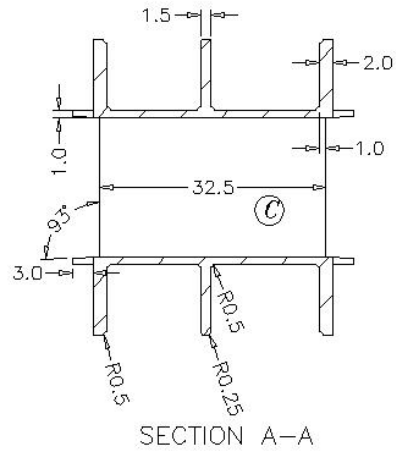
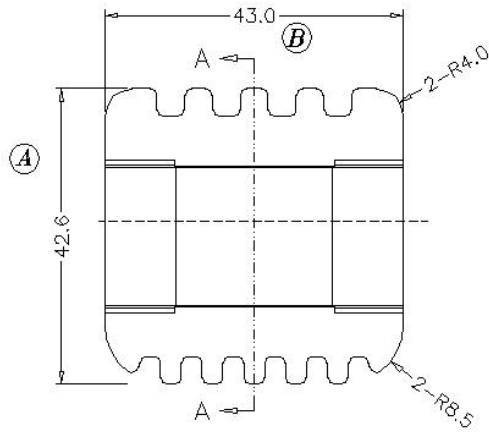


0782

EI-66
Metric

EI-87
American



| Scale | Tolerance (mm) | | |
|-------|----------------|---------------|----------------|
| None | 0-4mm +/-0.1 | 4-16mm +/-0.2 | 16-60mm +/-0.3 |

| Terminal Plating | Terminal Material | No of Terminals | |
|------------------|-------------------|-----------------|--|
| 100% Sn | CP Wire | | |



| Molding Material | UL File No. | Rating | Class |
|-------------------------|-------------|---------|----------|
| FR50 | E41938 | UL94-V0 | F |
| Bobbin Part Number | | | Rev No |
| B-EIM66X20-2-GFN | | | 1 |