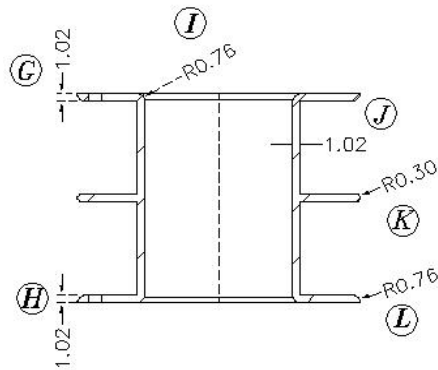
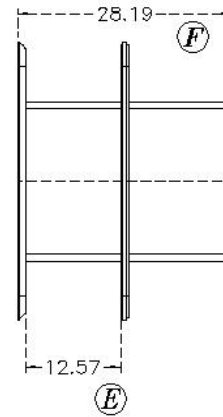
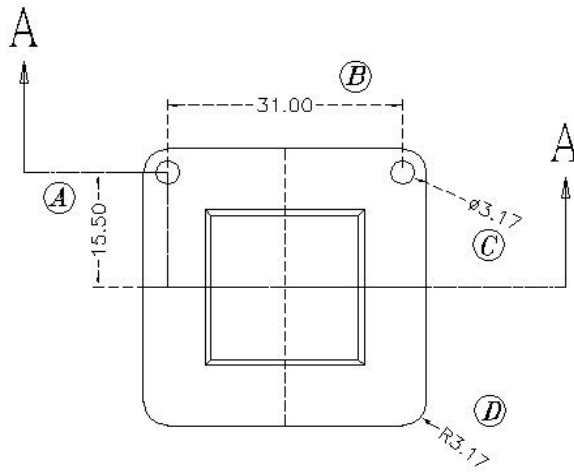


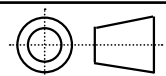
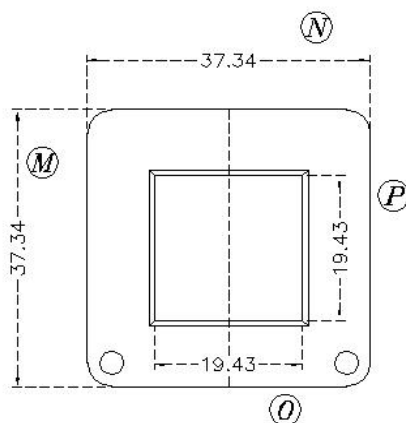
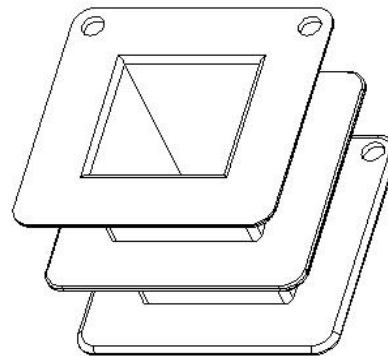
0521

EI-57  
Metric

EI-75  
American



A-A



Scale	Tolerance (mm)			Terminal Plating	Terminal Material	No of Terminals	
None	0-4mm +/-0.1	4-16mm +/-0.2	16-60mm +/-0.3	100% Sn	CP Wire		

Molding Material	UL File No.	Rating	Class
70G33L	E41938	UL94-HP	F



Bobbin Part Number			Rev No
B-EIM57X19-2-GFN2			1