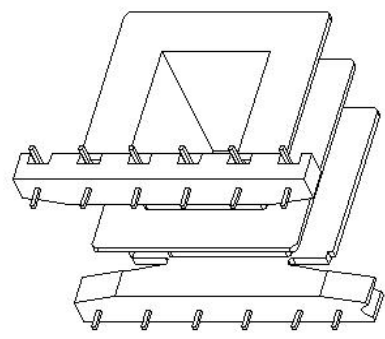
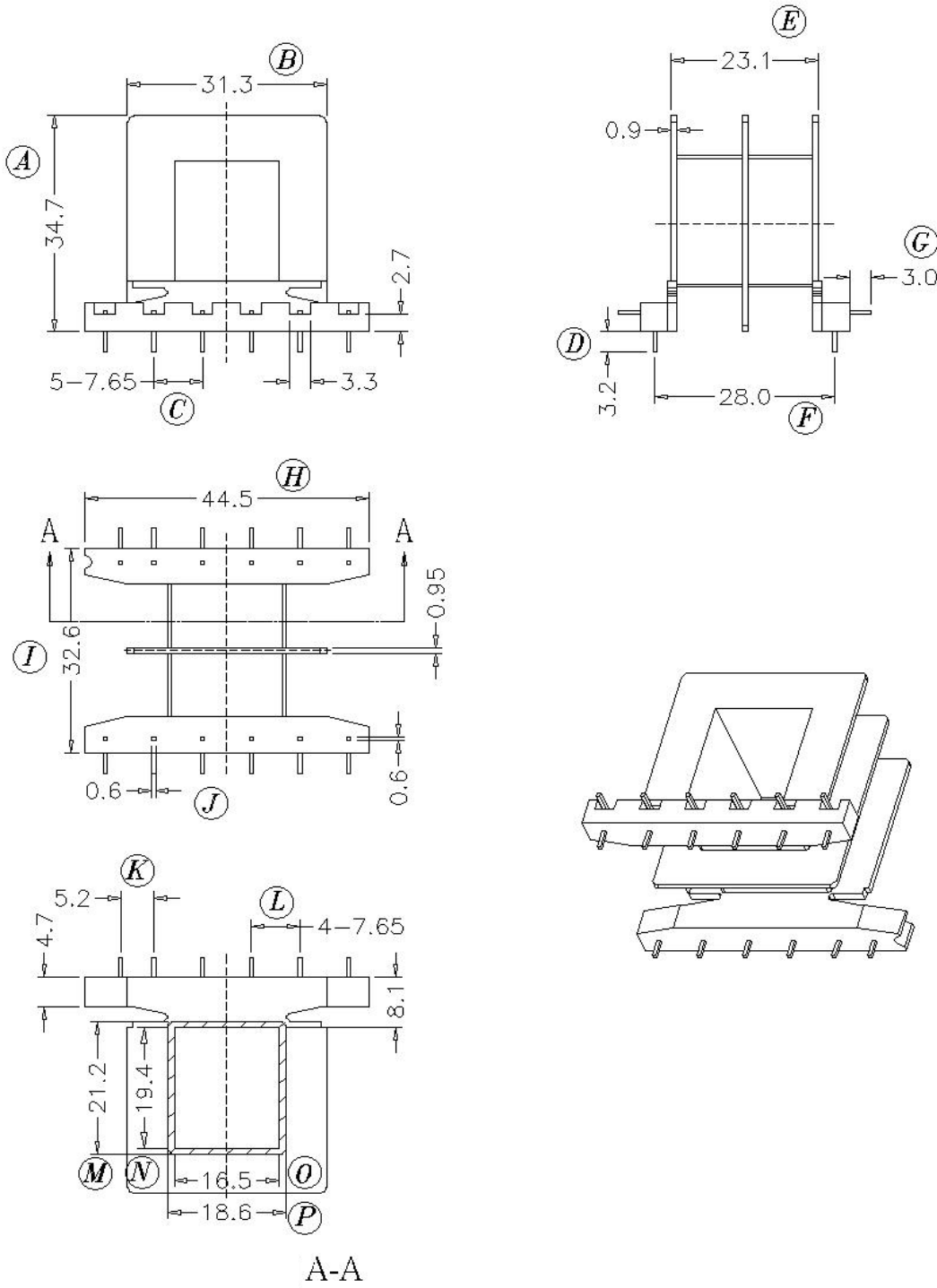
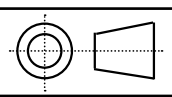


Core Fit Reference

0778		EI-48	EI-62
		Metric	American



A-A

	Scale	Tolerance (mm)			Terminal Plating	Terminal Material	No of Terminals	
	None	0-4mm +/-0.1	4-16mm +/-0.2	16-60mm +/-0.3	100% Sn	CP Wire	12	

LODESTONE PACIFIC

CHINA FACTORY
www.lodestonepacific.com

Molding Material	UL File No.	Rating	Class
70G33L	E41938	UL94-HP	F
Bobbin Part Number			Rev No
B-EIM48X19H-12-2-GFN2			1