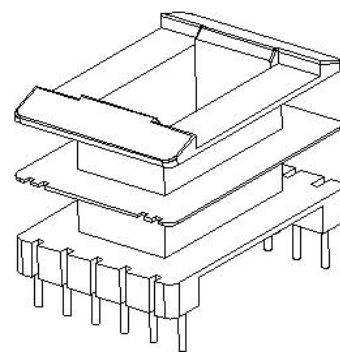
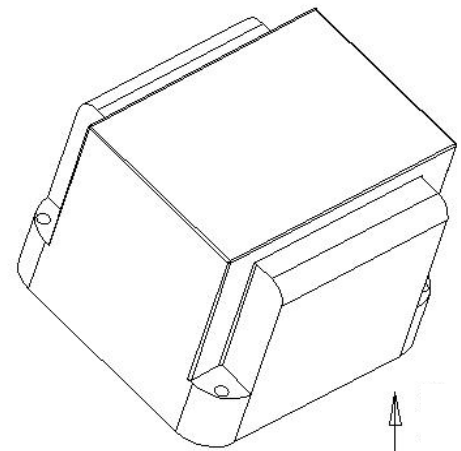
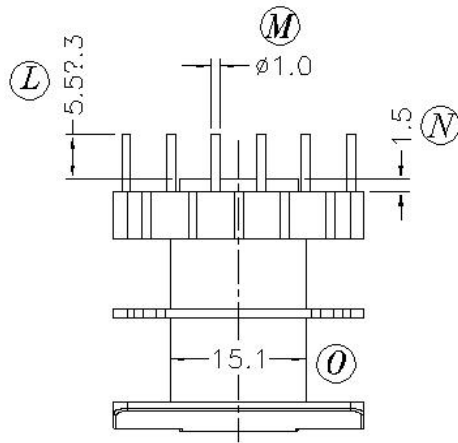
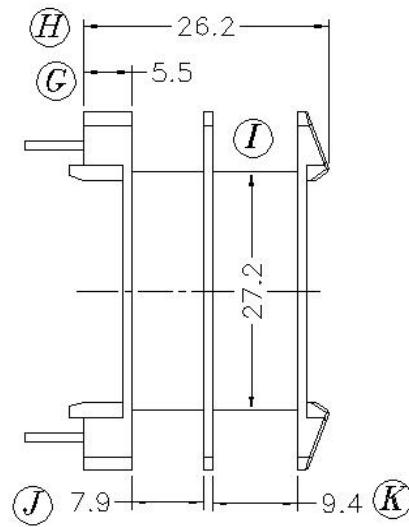
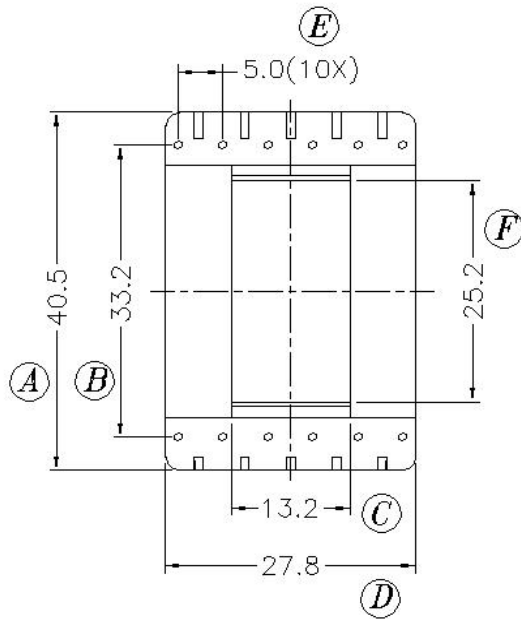
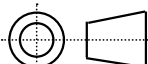


Core Fit Reference

0156		EI-41	EI-50
		Metric	American



CAN BE USED WITH CASE
 BC-EIM41X25V-12-1-PBT

	Scale	Tolerance (mm)			Terminal Plating	Terminal Material	No of Terminals	
	None	0-4mm +/-0.1	4-16mm +/-0.2	16-60mm +/-0.3	100% Sn	CP Wire	12	

LODESTONE PACIFIC
 **CHINA FACTORY**
www.lodestonepacific.com

Molding Material	UL File No.	Rating	Class
PBT	E59481	UL94-V0	B
Bobbin Part Number			Rev No
B-EIM41X25-1V-12-2-PBT			1