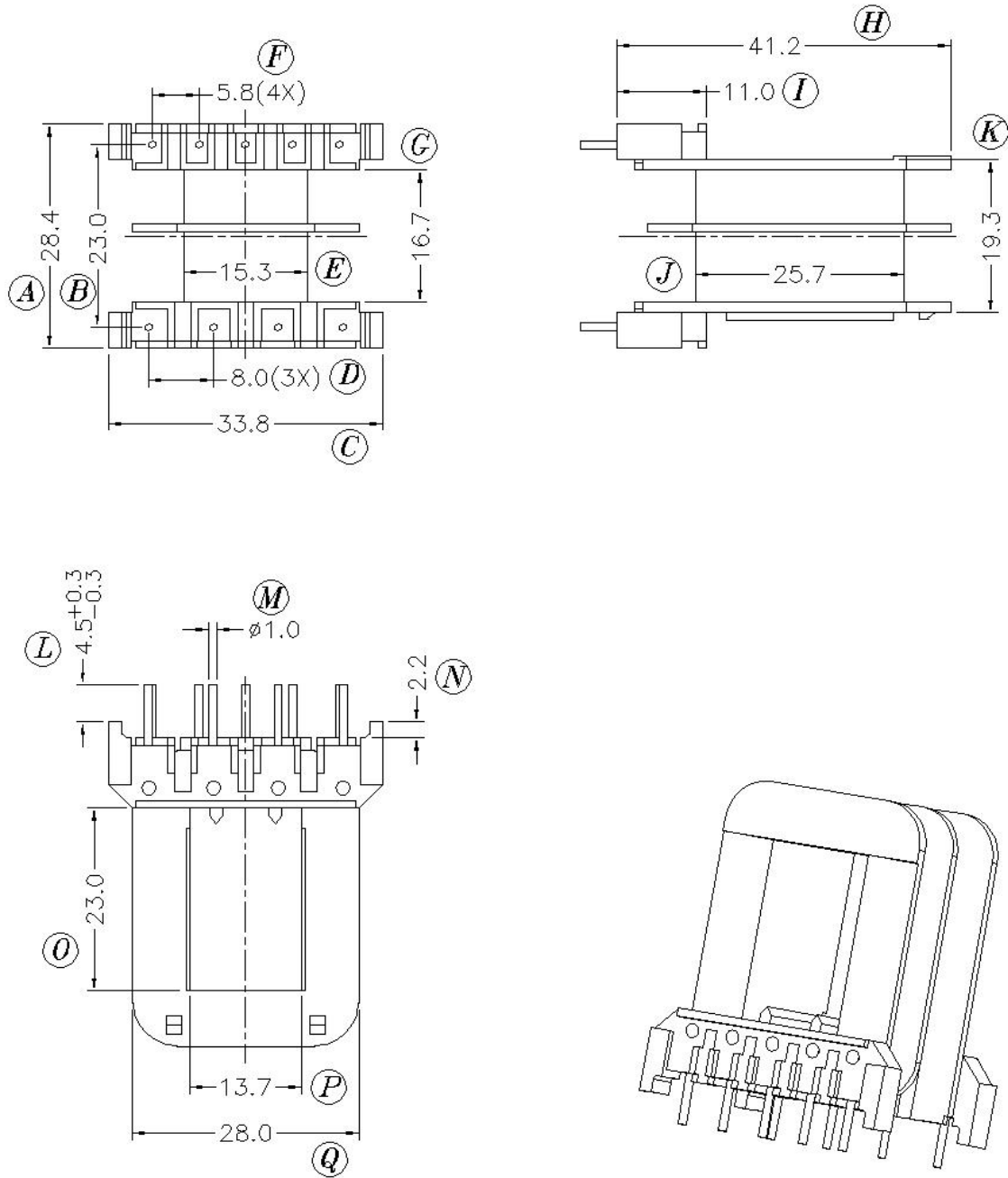
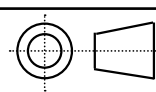


Core Fit Reference

0144		EI-41	EI-50
		Metric	American



	Scale	Tolerance (mm)			Terminal Plating	Terminal Material	No of Terminals	
	None	0-4mm +/-0.1	4-16mm +/-0.2	16-60mm +/-0.3	100% Sn	CP Wire	9	

 <p>LODESTONE PACIFIC CHINA FACTORY www.lodestonepacific.com</p>	Molding Material	UL File No.	Rating	Class	
	PBT	E59481	UL94-V0	B	
	Bobbin Part Number				Rev No
	B-EIM41X20-8H-9-2-PBT				1