

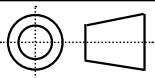
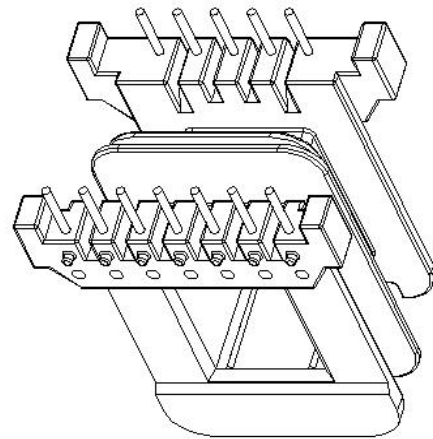
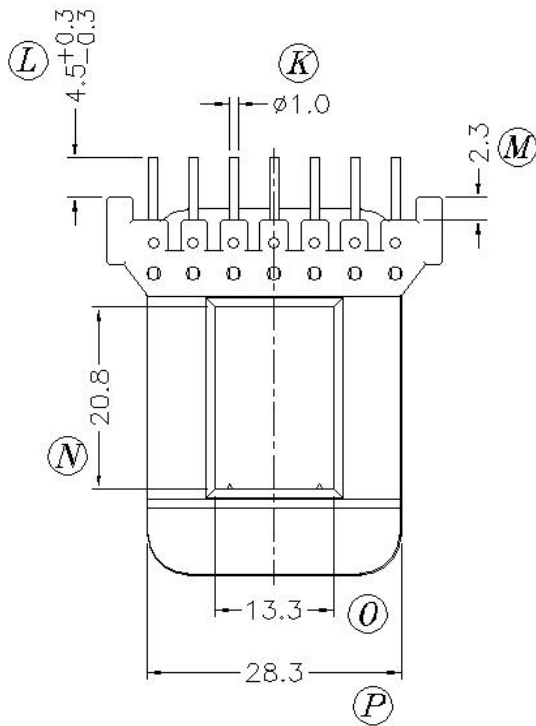
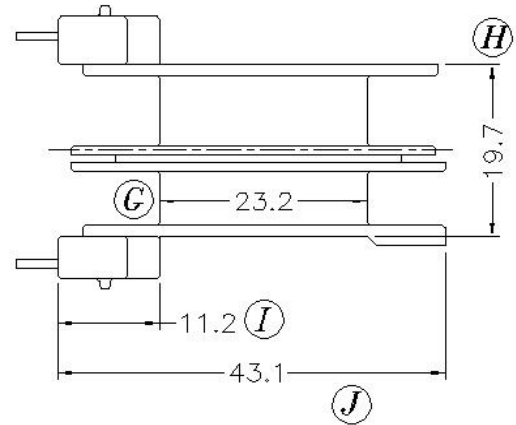
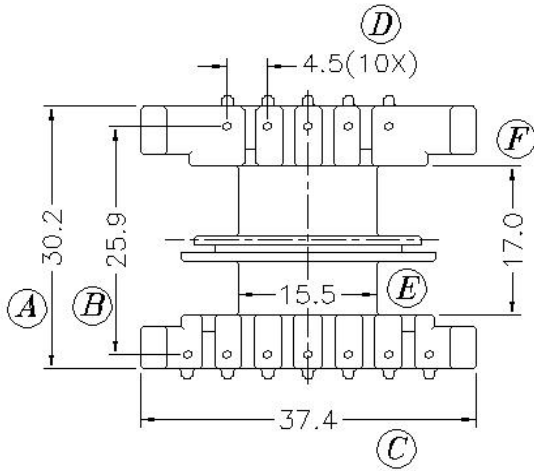


Core Fit Reference

0140

EI-41
Metric

EI-50
American



| Scale | Tolerance (mm) | | |
|-------|----------------|---------------|----------------|
| None | 0-4mm +/-0.1 | 4-16mm +/-0.2 | 16-60mm +/-0.3 |

| Terminal Plating | Terminal Material | No of Terminals | |
|------------------|-------------------|-----------------|--|
| 100% Sn | CP Wire | 12 | |

| Molding Material | UL File No. | Rating | Class |
|------------------|-------------|---------|-------|
| PBT | E59481 | UL94-V0 | B |

Bobbin Part Number Rev No

B-EIM41X20-2H-12-2-PBT-S 1

