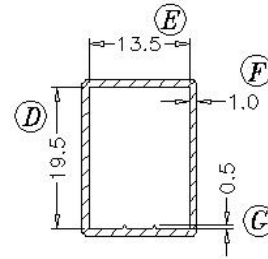
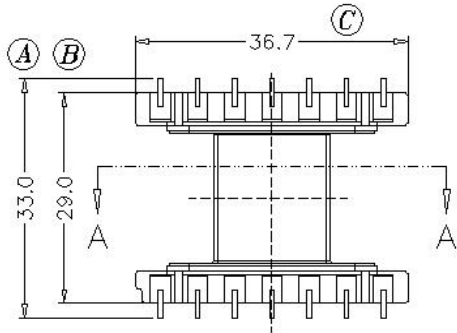


Core Fit Reference

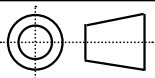
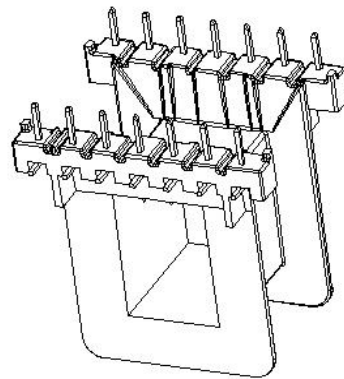
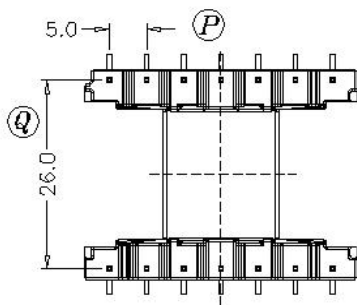
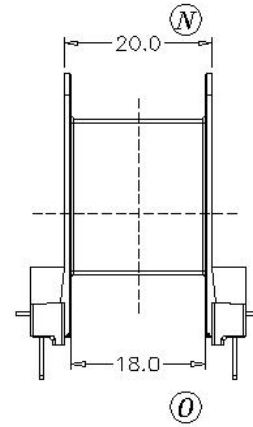
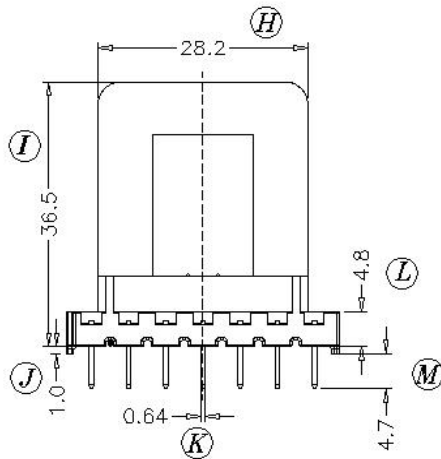
0781

EI-41
Metric

EI-50
American



SECTION A-A



Scale	Tolerance (mm)		
None	0-4mm +/-0.1	4-16mm +/-0.2	16-60mm +/-0.3

Terminal Plating	Terminal Material	No of Terminals	
100% Sn	CP Wire	14	



Molding Material	UL File No.	Rating	Class
70G33L	E41938	UL94-HP	F
Bobbin Part Number			Rev No
B-EIM41X19H-14-1-GFN2			1