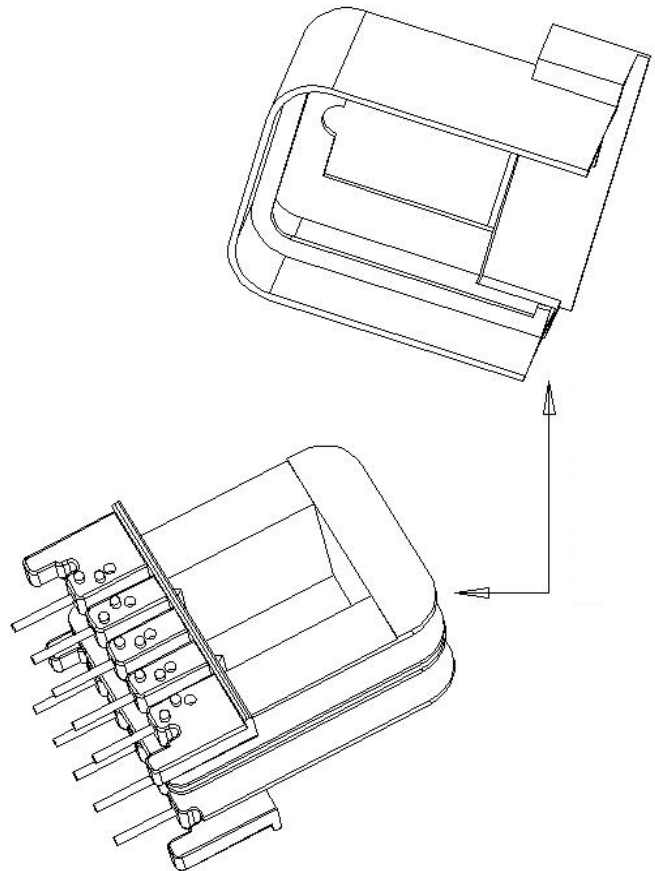
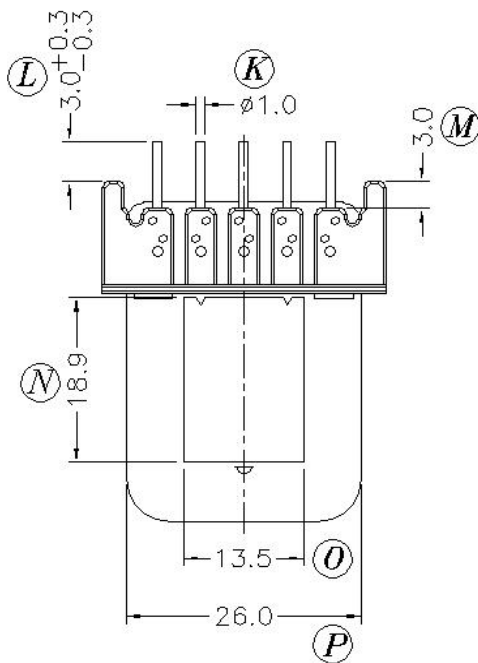
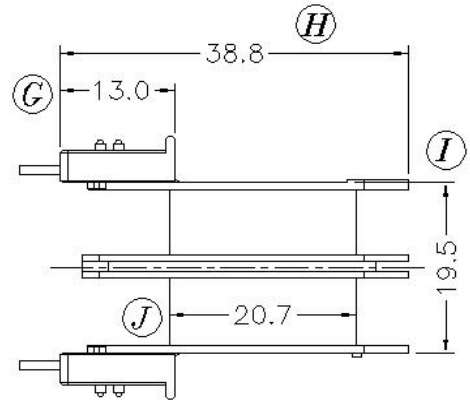
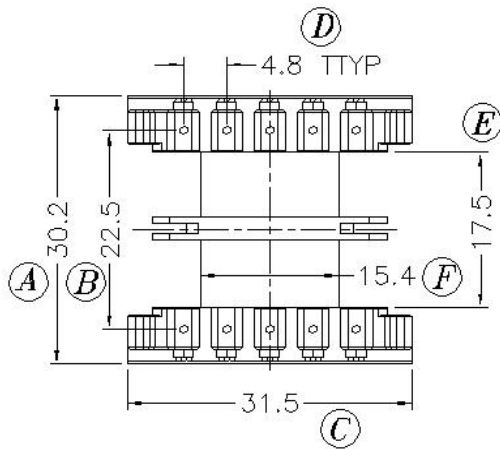
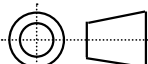


**Core Fit Reference**

|             |  |               |                 |
|-------------|--|---------------|-----------------|
| <b>0123</b> |  | <b>EI-41</b>  | <b>EI-50</b>    |
|             |  | <b>Metric</b> | <b>American</b> |



|  | Scale | Tolerance (mm) |               |                | Terminal Plating | Terminal Material | No of Terminals |  |
|--|-------|----------------|---------------|----------------|------------------|-------------------|-----------------|--|
|  | None  | 0-4mm +/-0.1   | 4-16mm +/-0.2 | 16-60mm +/-0.3 | 100% Sn          | CP Wire           | 10              |  |

**LODESTONE PACIFIC**  
 **CHINA FACTORY**  
[www.lodestonepacific.com](http://www.lodestonepacific.com)

|                           |                    |               |               |
|---------------------------|--------------------|---------------|---------------|
| <b>Molding Material</b>   | <b>UL File No.</b> | <b>Rating</b> | <b>Class</b>  |
| PBT                       | E59481             | UL94-V0       | B             |
| <b>Bobbin Part Number</b> |                    |               | <b>Rev No</b> |
| B-EIM41X17.5H-10-2-PBT-S  |                    |               | 1             |