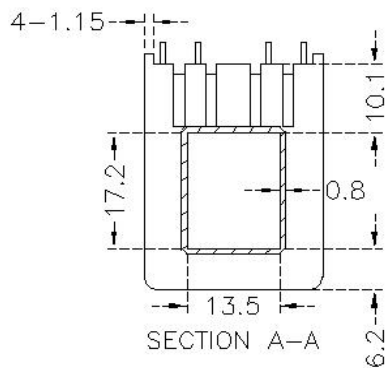
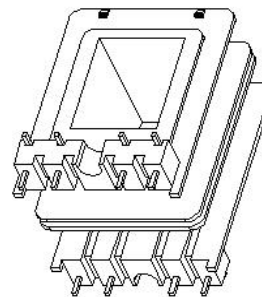
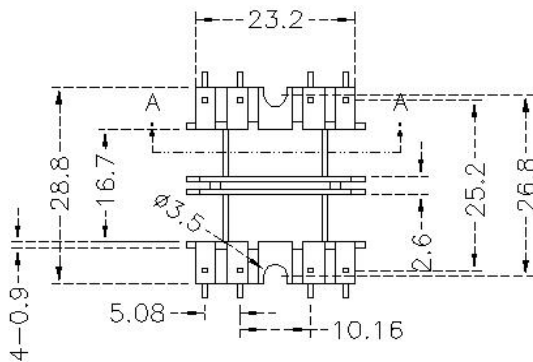
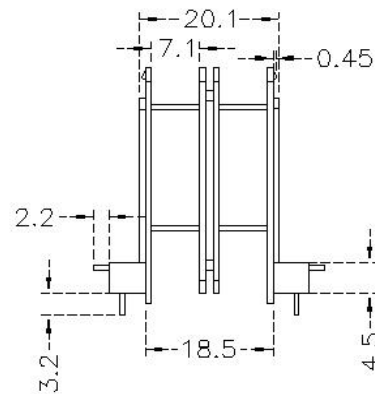
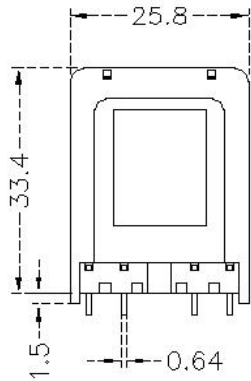
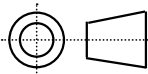



Core Fit Reference

0939		EI-41	EI-50
		Metric	American



CAN BE USED WITH SHROUD
 BS-EIM41X16.5-1H-8-2-PET

	Scale	Tolerance (mm)			Terminal Plating	Terminal Material	No of Terminals	
	None	0-4mm +/-0.1	4-16mm +/-0.2	16-60mm +/-0.3	100% Sn	CP Wire	8	
 www.lodestonepacific.com					Molding Material	UL File No.	Rating	Class
					FR530	E41938	UL94-V0	N
					Bobbin Part Number			Rev No
B-EIM41X16.5-1H-8-2-PET-S			1					