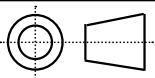
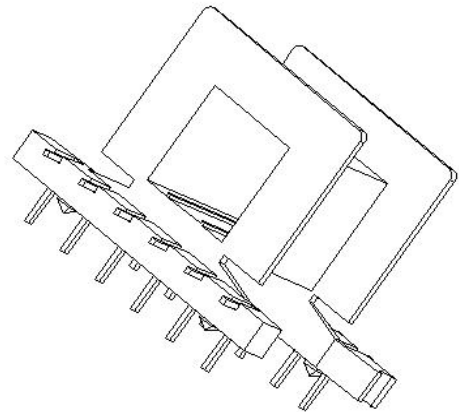
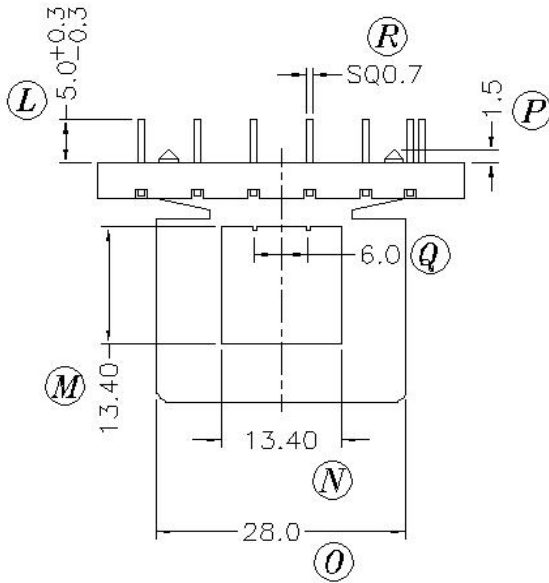
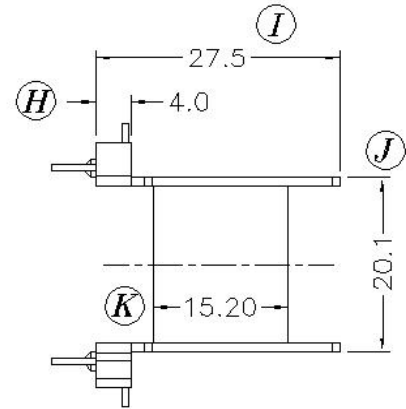
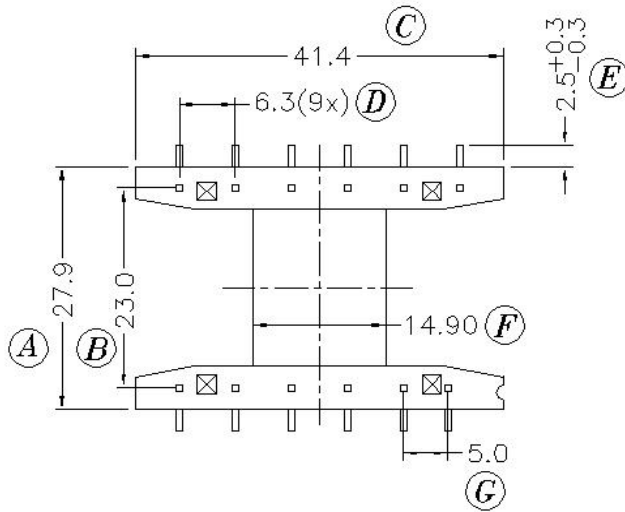


Core Fit Reference

0100		EI-41	EI-50
		Metric	American



Scale	Tolerance (mm)			Terminal Plating	Terminal Material	No of Terminals	
None	0-4mm +/-0.1	4-16mm +/-0.2	16-60mm +/-0.3	100% Sn	CP Wire	12	

Molding Material	UL File No.	Rating	Class
FR530	E41938	UL94-V0	N

LODESTONE PACIFIC
CHINA FACTORY
www.lodestonepacific.com

Bobbin Part Number			Rev No
B-EIM41X13-1H-12-1-PET			1