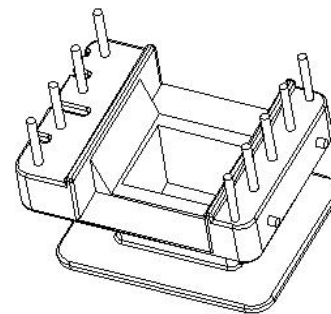
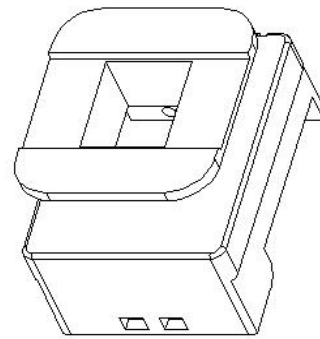
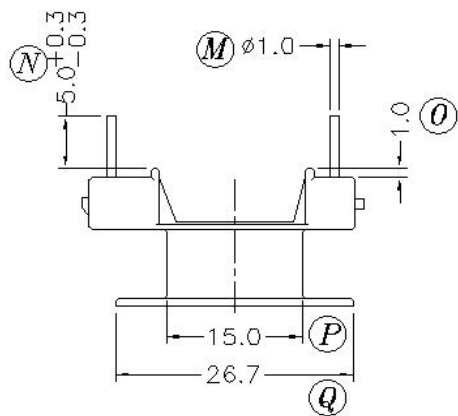
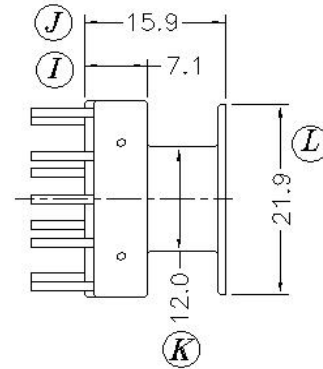
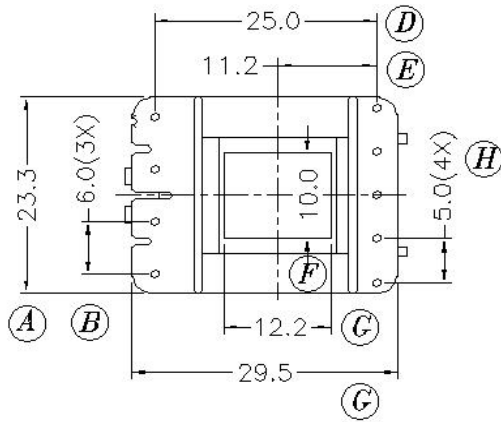
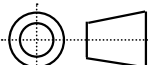


Core Fit Reference

0062		EI-35	EI-37
		Metric	American



CAN BE USED WITH SHROUD
 BS-EIM35X12-3V-9-1-PET

	Scale	Tolerance (mm)			Terminal Plating	Terminal Material	No of Terminals	
	None	0-4mm +/-0.1	4-16mm +/-0.2	16-60mm +/-0.3	100% Sn	CP Wire	9	



Molding Material	UL File No.	Rating	Class
FR530	E41938	UL94-V0	N
Bobbin Part Number			Rev No
B-EIM35x12-3V-9-1-PET-S			1