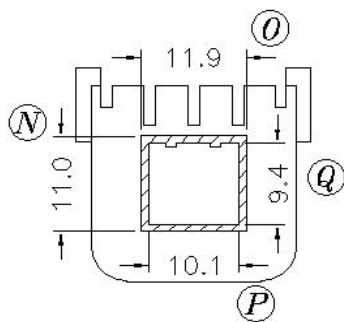
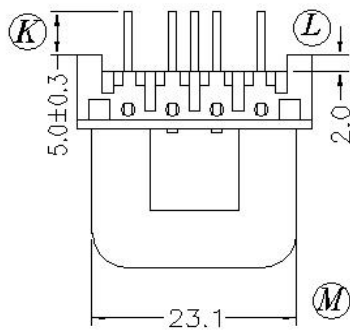
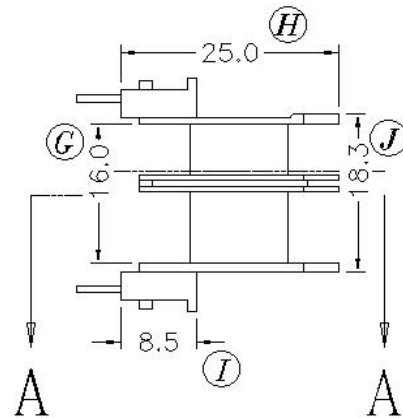
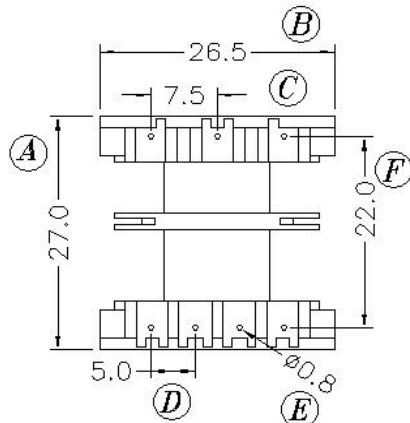
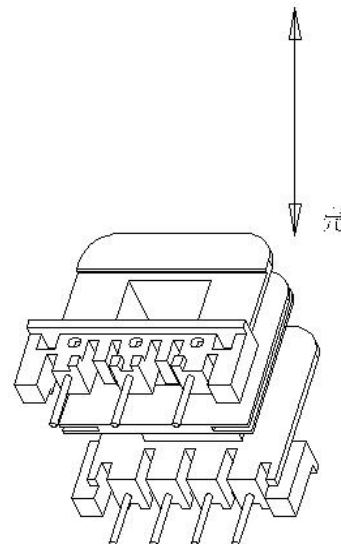
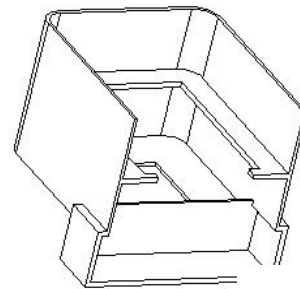


Core Fit Reference

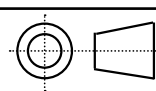
0045		EI-35	EI-37
		Metric	American



A-A



CAN BE USED WITH SHROUD
 BS-EIM35X9-2H-7-2-PBT

	Scale	Tolerance (mm)			Terminal Plating	Terminal Material	No of Terminals	
	None	0-4mm +/-0.1	4-16mm +/-0.2	16-60mm +/-0.3	100% Sn	CP Wire	7	

LODESTONE PACIFIC

CHINA FACTORY
www.lodestonepacific.com

Molding Material	UL File No.	Rating	Class
PBT	E59481	UL94-V0	B
Bobbin Part Number			Rev No
B-EIM35X9-2H-7-2-PBT-S			1