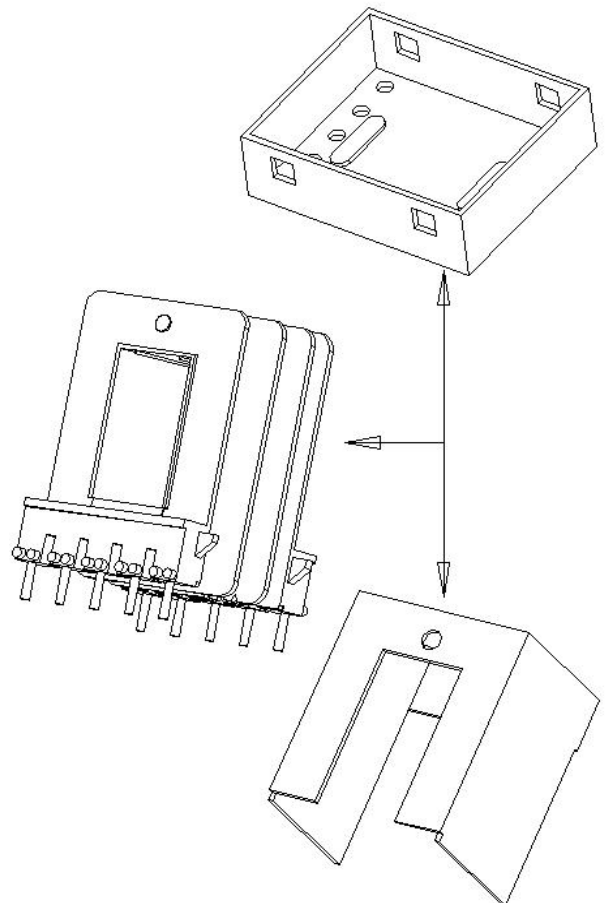
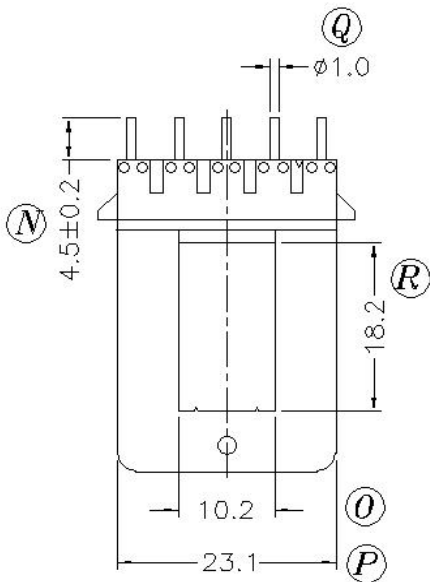
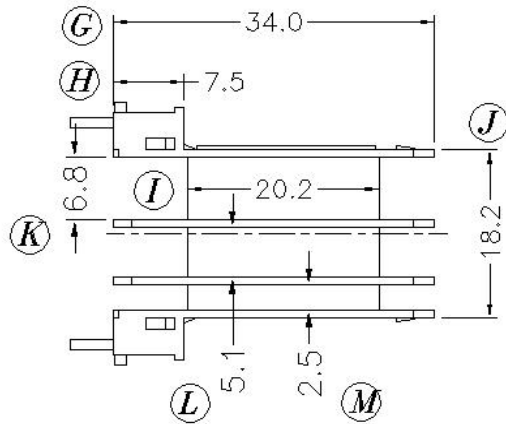
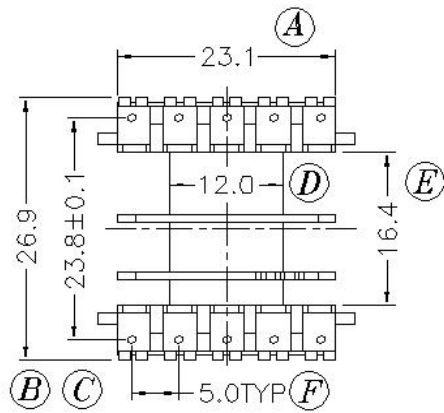
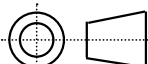


**Core Fit Reference**

<b>0087</b>		<b>EI-35</b>	<b>EI-37</b>
		<b>Metric</b>	<b>American</b>



	Scale	Tolerance (mm)			Terminal Plating	Terminal Material	No of Terminals	
	None	0-4mm +/-0.1	4-16mm +/-0.2	16-60mm +/-0.3	100% Sn	CP Wire	10	

**LODESTONE PACIFIC**  
 **CHINA FACTORY**  
[www.lodestonepacific.com](http://www.lodestonepacific.com)

<b>Molding Material</b>	<b>UL File No.</b>	<b>Rating</b>	<b>Class</b>
PBT	E59481	UL94-V0	B
<b>Bobbin Part Number</b>			<b>Rev No</b>
<b>B-EIM35X18H-10-3-PBT-S</b>			<b>1</b>