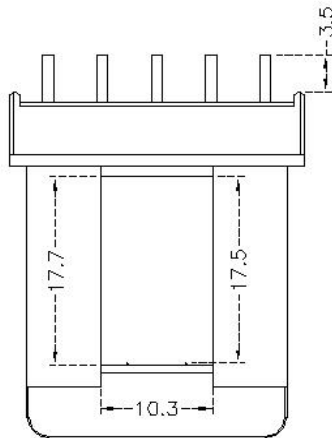
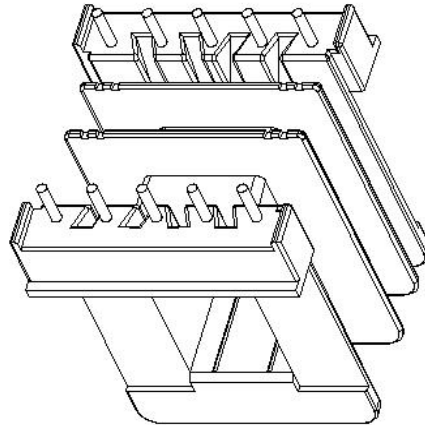
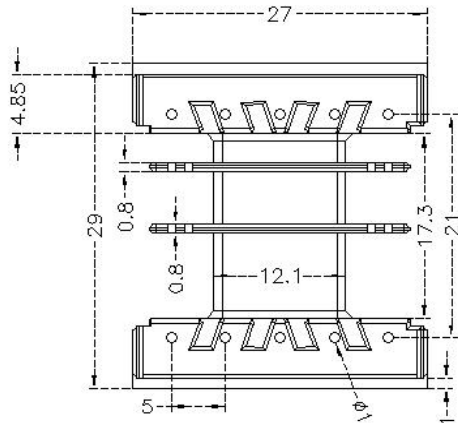
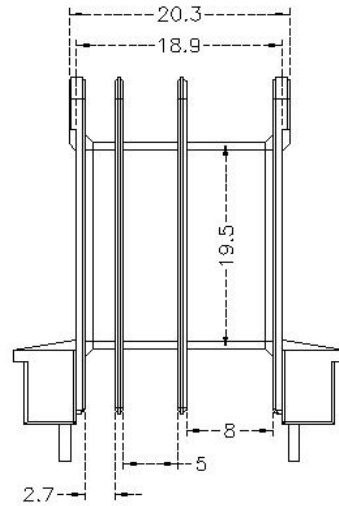
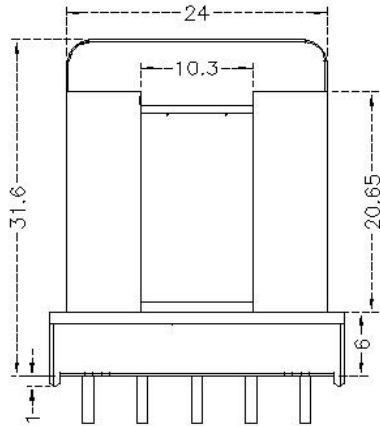




Core Fit Reference

1082	EI-35	EI-37
	Metric	American



CAN BE USED WITH CASE
BC-EIM35X18H-PBT

	Scale	Tolerance (mm)			Terminal Plating	Terminal Material	No of Terminals	
	None	0-4mm +/-0.1	4-16mm +/-0.2	16-60mm +/-0.3	100% Sn	CP Wire	10	
					Molding Material	UL File No.	Rating	Class
					PBT	E59481	UL94-V0	B
					Bobbin Part Number			
B-EIM35X18-5H-10-3-PBT							1	