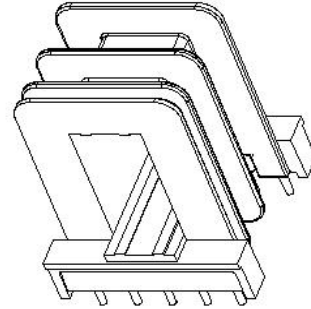
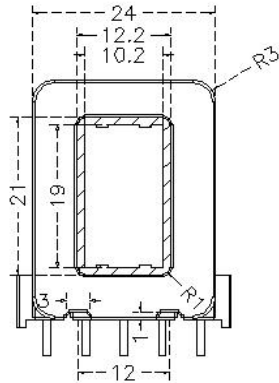
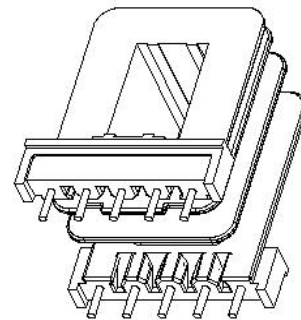
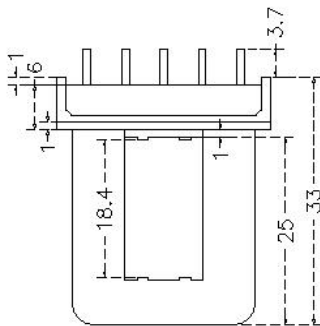
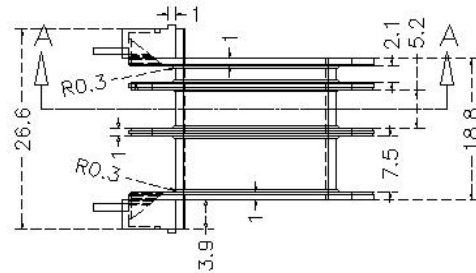
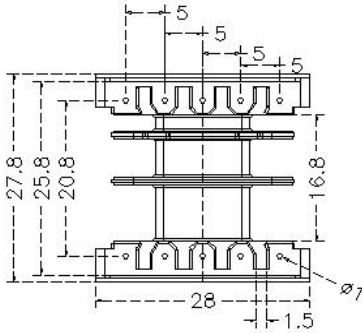


**Core Fit Reference**

<b>1234</b>	<b>EI-35</b>	<b>EI-37</b>
	<b>Metric</b>	<b>American</b>



A-A



CAN BE USED WITH CASE  
 BC-EIM35X18H-PBT

	Scale	Tolerance (mm)			Terminal Plating	Terminal Material	No of Terminals	
	None	0-4mm +/-0.1	4-16mm +/-0.2	16-60mm +/-0.3	100% Sn	CP Wire	10	



Molding Material	UL File No.	Rating	Class
PBT	E59481	UL94-V0	B
Bobbin Part Number			Rev No
B-EIM35X18-4H-10-3-PBT			1