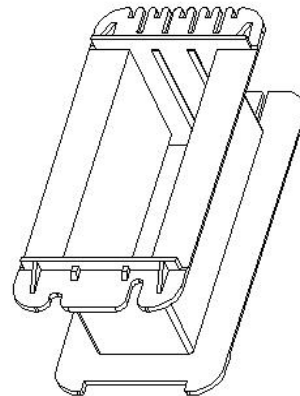
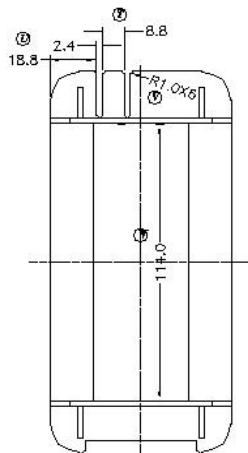
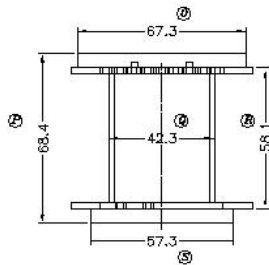
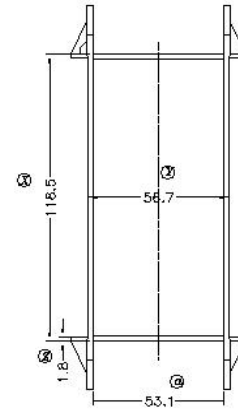
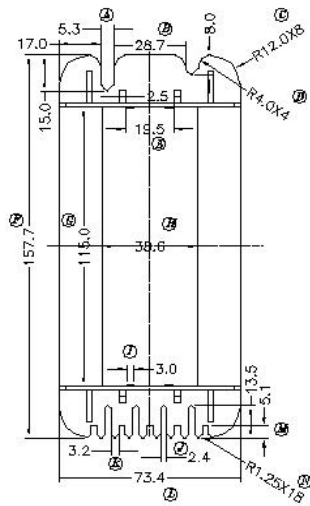




Core Fit Reference

0702		EI-114 Metric	EI-150 American
------	--	------------------	--------------------



	Scale	Tolerance (mm)			Terminal Plating	Terminal Material	No of Terminals	
	None	0-4mm +/-0.1	4-16mm +/-0.2	16-60mm +/-0.3	100% Sn	CP Wire		

**LODESTONE PACIFIC**
  
**CHINA FACTORY**
  
[www.lodestonepacific.com](http://www.lodestonepacific.com)

Molding Material	UL File No.	Rating	Class
FR530	E41938	UL94-V0	N
<b>Bobbin Part Number</b>			Rev No
<b>B-EIM114X114-1-PET</b>			<b>1</b>