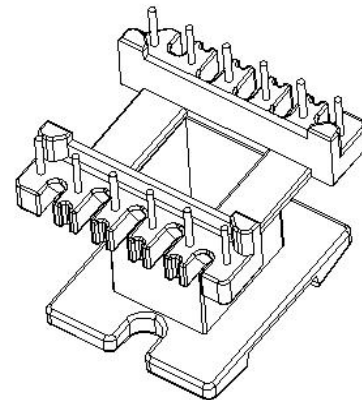
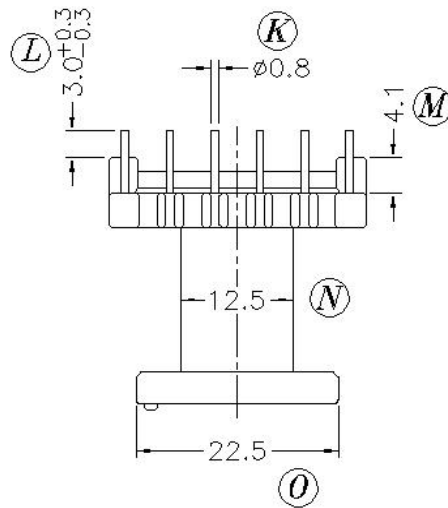
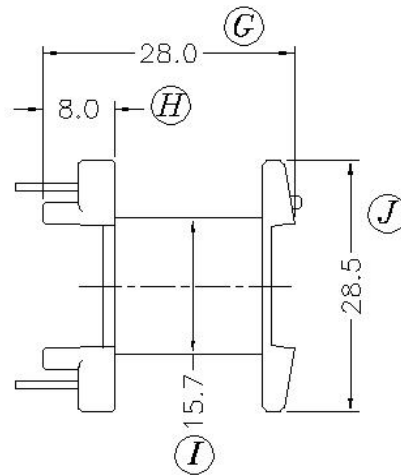
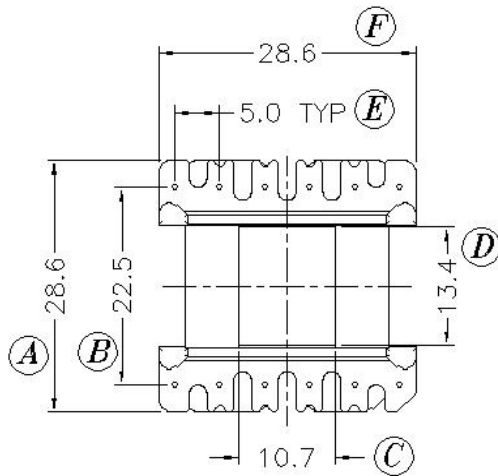
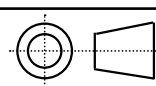


0324



	Scale	Tolerance (mm)			Terminal Plating	Terminal Material	No of Terminals	
	None	0-4mm +/-0.1	4-16mm +/-0.2	16-60mm +/-0.3	100% Sn	CP Wire	12	

 <p><b>LODESTONE PACIFIC</b>  <b>CHINA FACTORY</b>  <a href="http://www.lodestonepacific.com">www.lodestonepacific.com</a></p>	Molding Material	UL File No.	Rating	Class
	T375J	E59481	UL94-V0	F
	Bobbin Part Number			
B-EI33V-12-1-PH3				1