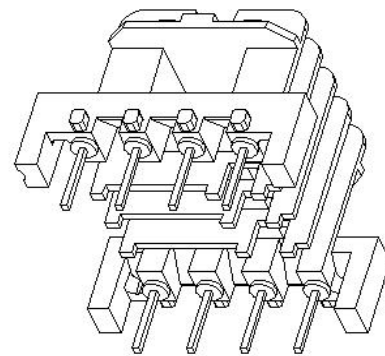
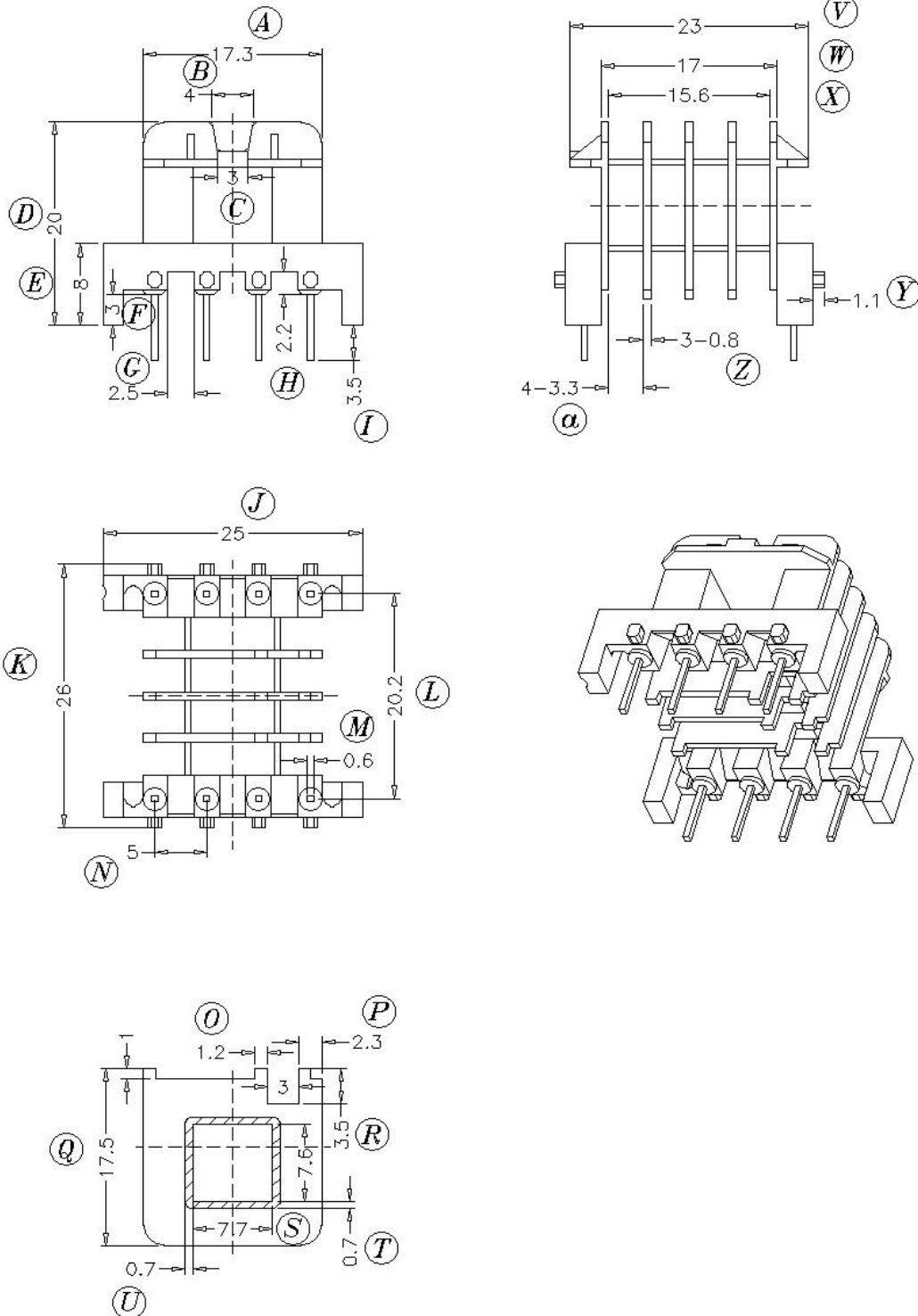
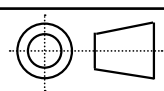


**0913**



	Scale	Tolerance (mm)			Terminal Plating	Terminal Material	No of Terminals	
	None	0-4mm +/-0.1	4-16mm +/-0.2	16-60mm +/-0.3	100% Sn	CP Wire	8	

 <p><b>LODESTONE PACIFIC</b>  <b>CHINA FACTORY</b>  <a href="http://www.lodestonepacific.com">www.lodestonepacific.com</a></p>	Molding Material	UL File No.	Rating	Class	
	FR530	E41938	UL94-V0	N	
	<b>Bobbin Part Number</b>				Rev No
	<b>B-EI25X7H-8-4-PET</b>				<b>1</b>