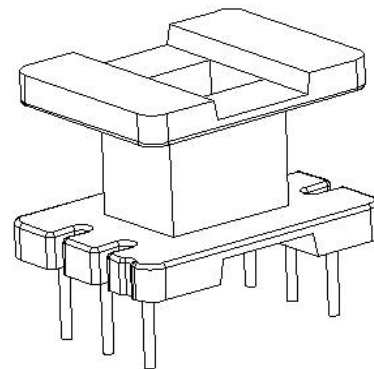
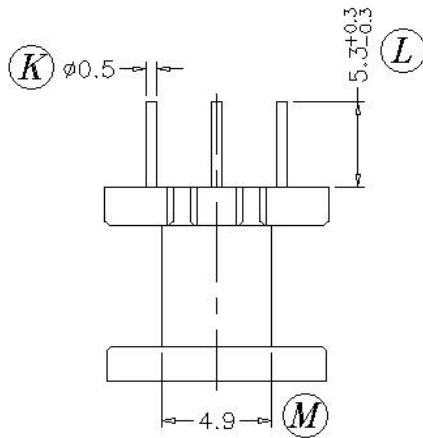
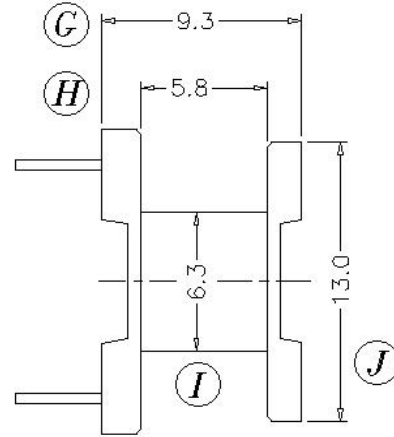
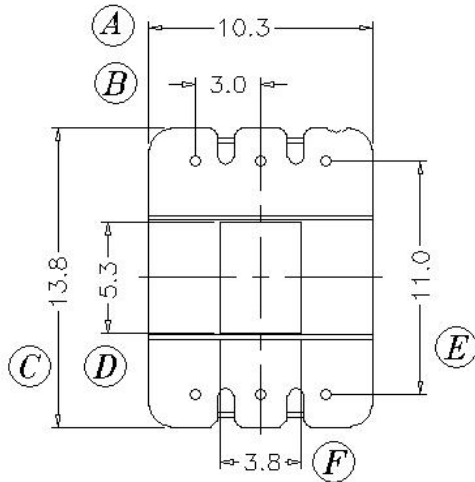
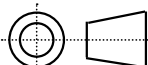


0001



	Scale	Tolerance (mm)			Terminal Plating	Terminal Material	No of Terminals	
	None	0-4mm ± 0.1	4-16mm ± 0.2	16-60mm ± 0.3	100% Sn	CP Wire	6	



Molding Material	UL File No.	Rating	Class
T375J	E59481	UL94-V0	F
Bobbin Part Number			Rev No
B-EI14V-6-1-PH3			1