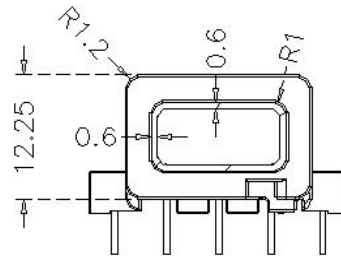
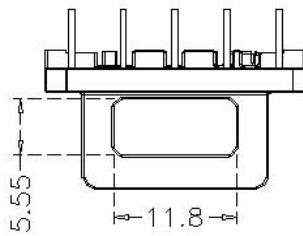
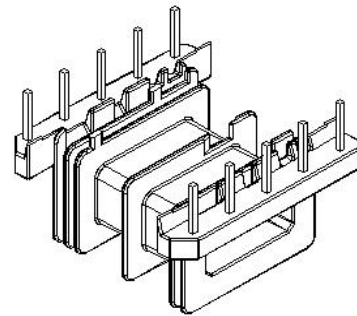
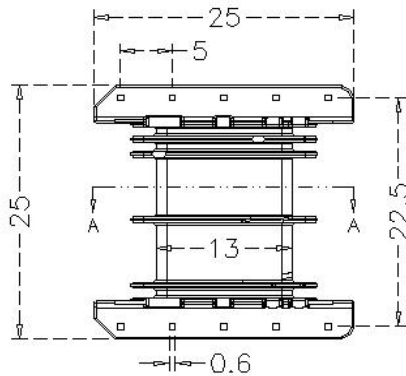
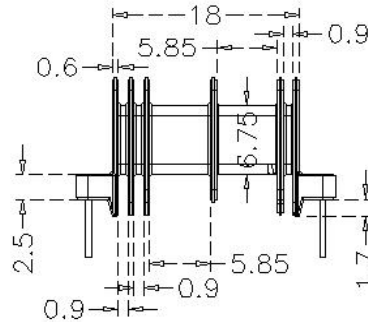
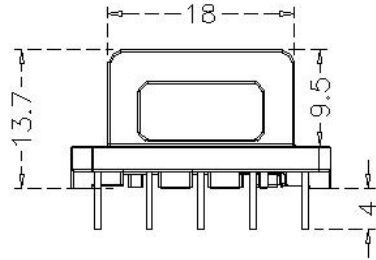


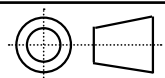


**Core Fit Reference**

<b>1313</b>	Forroxcube:EFD25-***-****-S	Fair-Rite:89**252521	Magnetics:X-42515-EC
	Simens:EFD 25/8/5	Ferrite intl:25-13-09	



SECTION A-A



Scale	Tolerance (mm)			Terminal Plating	Terminal Material	No of Terminals	
None	0-4mm +/-0.1	4-16mm +/-0.2	16-60mm +/-0.3	100% Sn	CP Wire	10	



**LODESTONE PACIFIC**

**CHINA FACTORY**

[www.lodestonepacific.com](http://www.lodestonepacific.com)

Molding Material	UL File No.	Rating	Class
PM-9820	E41429	UL94-V0	N
Bobbin Part Number			Rev No
B-EFD25H-10-5-PH2			1