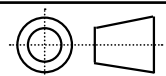
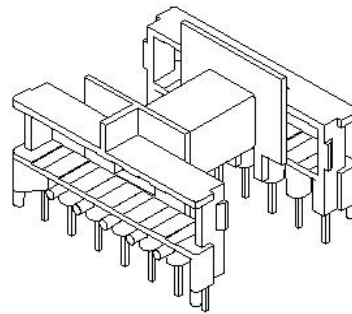
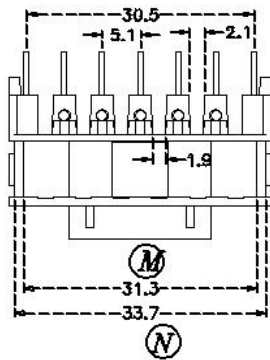
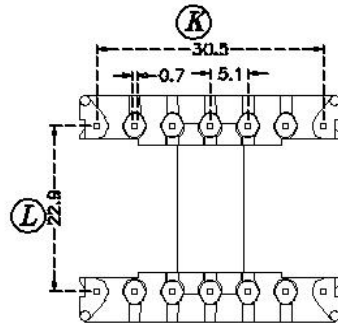
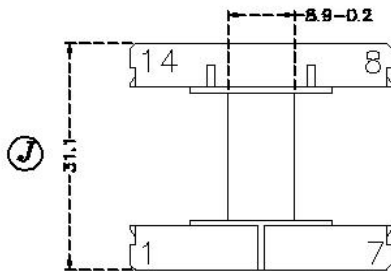
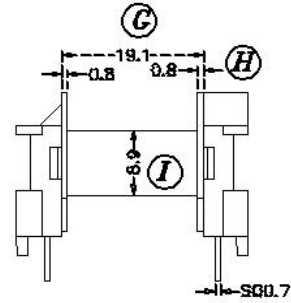
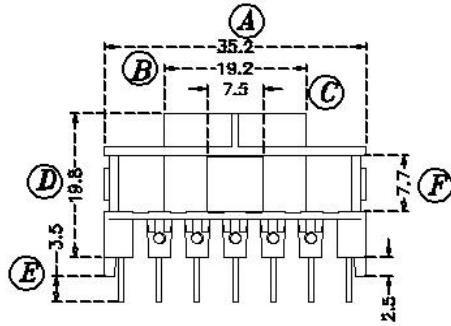


1398



| Scale | Tolerance (mm) | | | Terminal Plating | Terminal Material | No of Terminals | |
|-------|----------------|---------------|----------------|------------------|-------------------|-----------------|--|
| None | 0-4mm +/-0.1 | 4-16mm +/-0.2 | 16-60mm +/-0.3 | 100% Sn | CP Wire | 14 | |



LODESTONE PACIFIC

CHINA FACTORY

www.lodestonepacific.com

| Molding Material | UL File No. | Rating | Class |
|--------------------|-------------|---------|--------|
| FR530 | E41938 | UL94-V0 | N |
| Bobbin Part Number | | | Rev No |
| B-EF30X7H-14-1-PET | | | 1 |