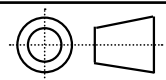
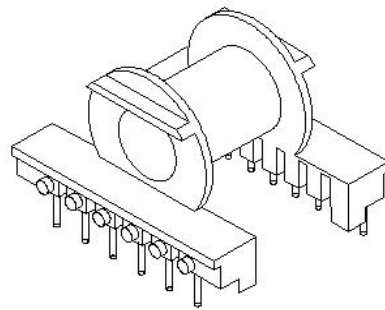
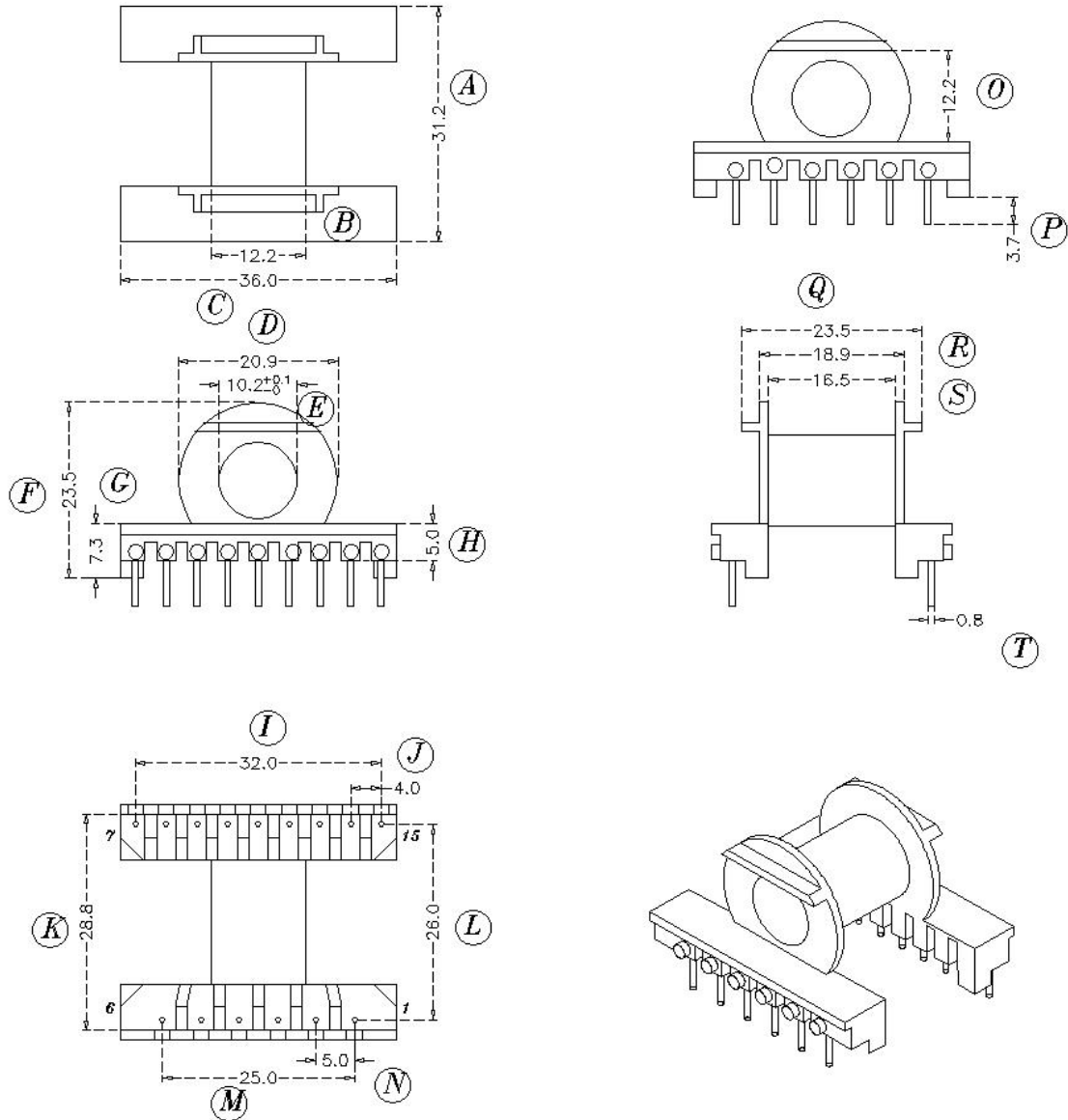


Core Fit Reference

1421	Forroxcube: ER28L-****	Fair-Rite:94**283402	Magnetics:OX-42816-EC
	TDK:PCXXER28L-Z	Ferrite intl:29-17-11	Simens:B66433



Scale	Tolerance (mm)		
None	0-4mm +/-0.1	4-16mm +/-0.2	16-60mm +/-0.3

Terminal Plating	Terminal Material	No of Terminals	
100% Sn	CP Wire	15	



LODESTONE PACIFIC

CHINA FACTORY

www.lodestonepacific.com

Molding Material	UL File No.	Rating	Class
PM-9820	E41429	UL94-V0	N
Bobbin Part Number			Rev No
B-EER2834H-15-1-PH2			1