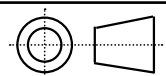
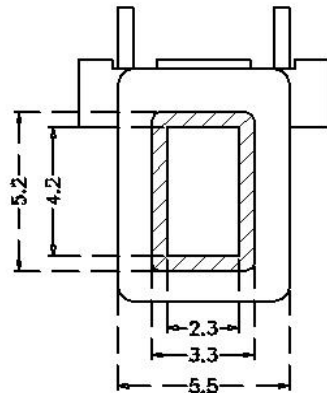
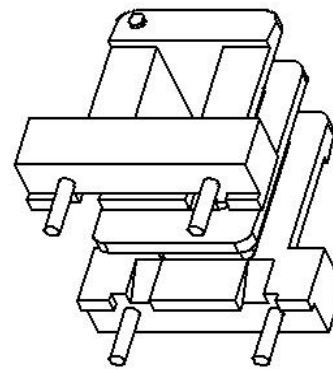
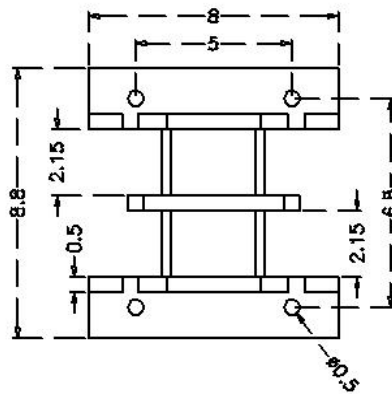
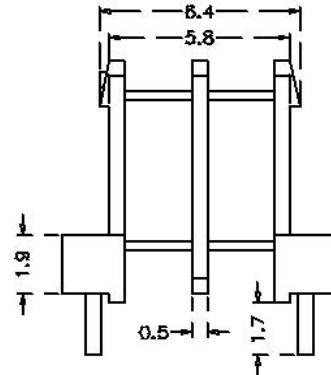
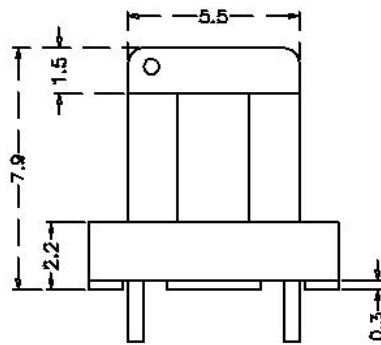


1331



Scale	Tolerance (mm)			Terminal Plating	Terminal Material	No of Terminals	
None	0-4mm +/-0.1	4-16mm +/-0.2	16-60mm +/-0.3	100% Sn	CP Wire	4	



LODESTONE PACIFIC

CHINA FACTORY

www.lodestonepacific.com

Molding Material	UL File No.	Rating	Class
PM-9820	E41429	UL94-V0	N
Bobbin Part Number			Rev No
B-EE8.3H-4-2-PH2			1