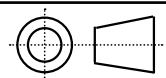
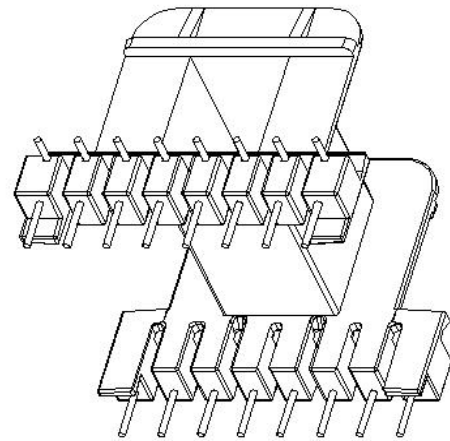
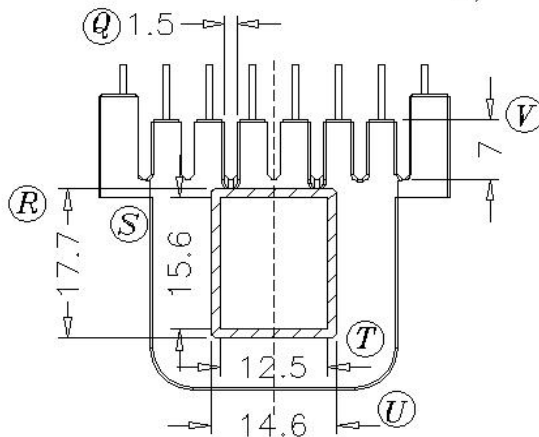
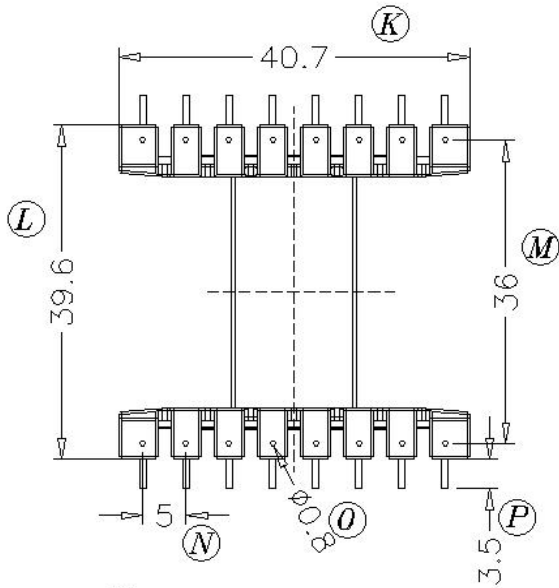
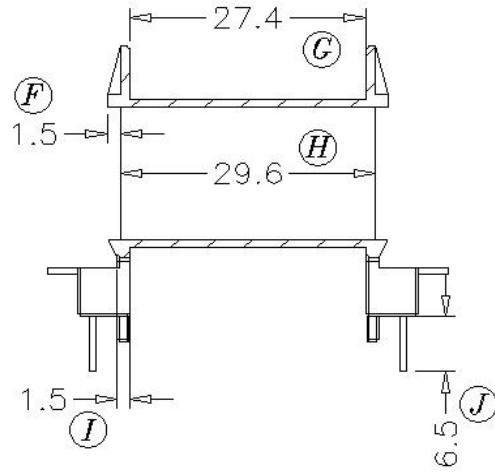
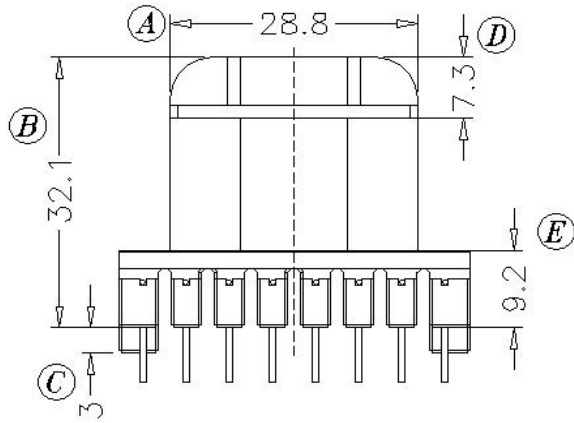


**0918**



| Scale | Tolerance (mm) |               |                |
|-------|----------------|---------------|----------------|
| None  | 0-4mm +/-0.1   | 4-16mm +/-0.2 | 16-60mm +/-0.3 |

| Terminal Plating | Terminal Material | No of Terminals |  |
|------------------|-------------------|-----------------|--|
| 100% Sn          | CP Wire           | 16              |  |

| Molding Material | UL File No. | Rating  | Class |
|------------------|-------------|---------|-------|
| PBT              | E59481      | UL94-V0 | B     |

| Bobbin Part Number  | Rev No |
|---------------------|--------|
| B-EE42X15H-16-1-PBT | 1      |



**LODESTONE PACIFIC**

**CHINA FACTORY**

[www.lodestonepacific.com](http://www.lodestonepacific.com)