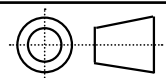
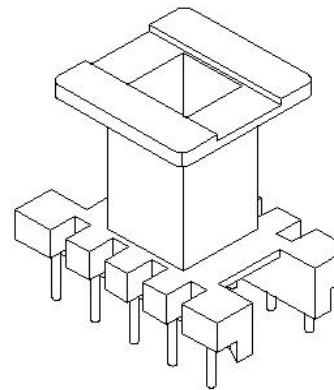
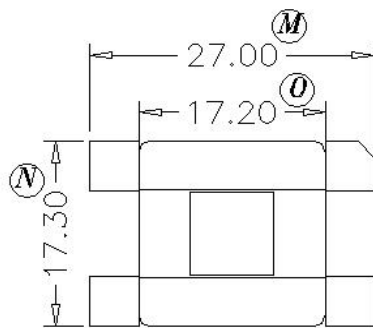
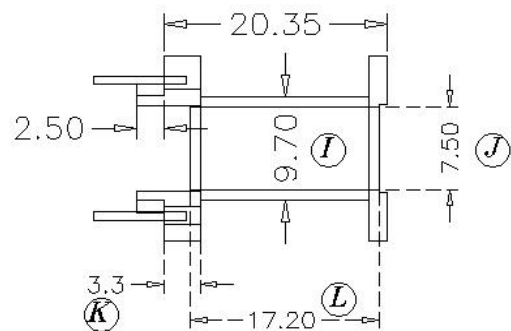
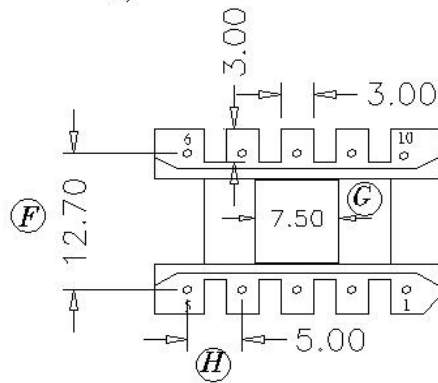
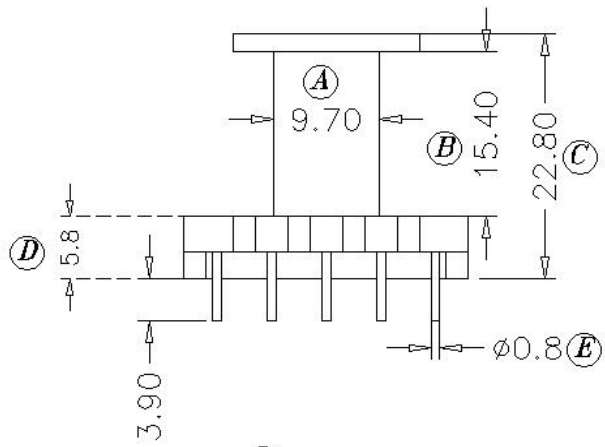


1426



Scale	Tolerance (mm)			Terminal Plating	Terminal Material	No of Terminals	
None	0-4mm +/-0.1	4-16mm +/-0.2	16-60mm +/-0.3	100% Sn	CP Wire	10	



Molding Material	UL File No.	Rating	Class
T375J	E59481	UL94-V0	F
Bobbin Part Number			Rev No
B-EE25-4V-10-1-PH3			1