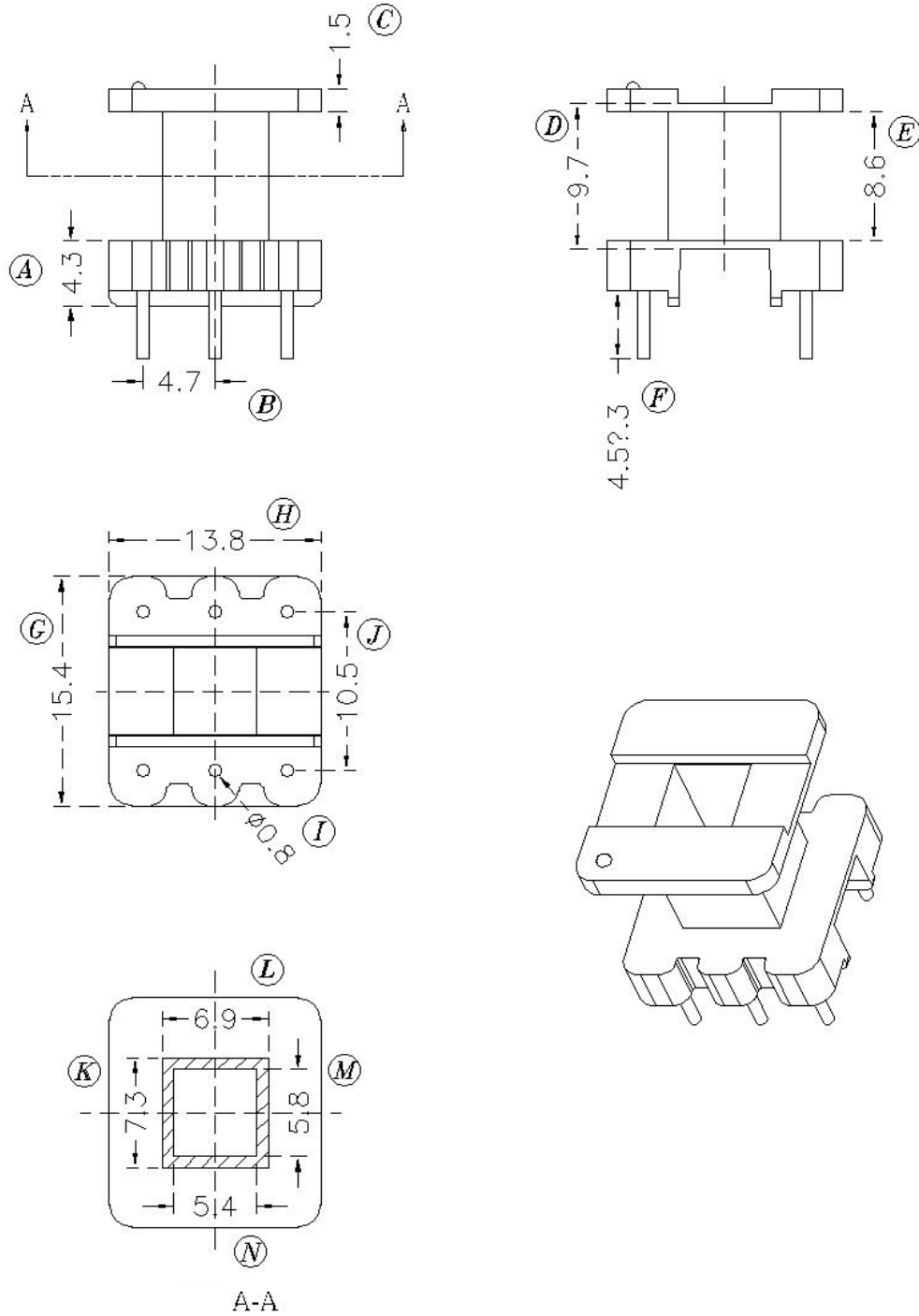
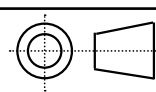


**Core Fit Reference**

<b>0650</b>	<b>Simens:B66393</b>	<b>Micrometals:E65-**</b>	
	<b>Ferrite intl:16-07-05</b>		



	Scale	Tolerance (mm)			Terminal Plating	Terminal Material	No of Terminals	
	None	0-4mm +/-0.1	4-16mm +/-0.2	16-60mm +/-0.3	100% Sn	CP Wire	6	

 <p><b>LODESTONE PACIFIC</b>  <b>CHINA FACTORY</b>  <a href="http://www.lodestonepacific.com">www.lodestonepacific.com</a></p>	<b>Molding Material</b>	<b>UL File No.</b>	<b>Rating</b>	<b>Class</b>	
	T375J	E59481	UL94-V0	F	
	<b>Bobbin Part Number</b>				<b>Rev No</b>
	B-EE16V-6-1-PH3				1