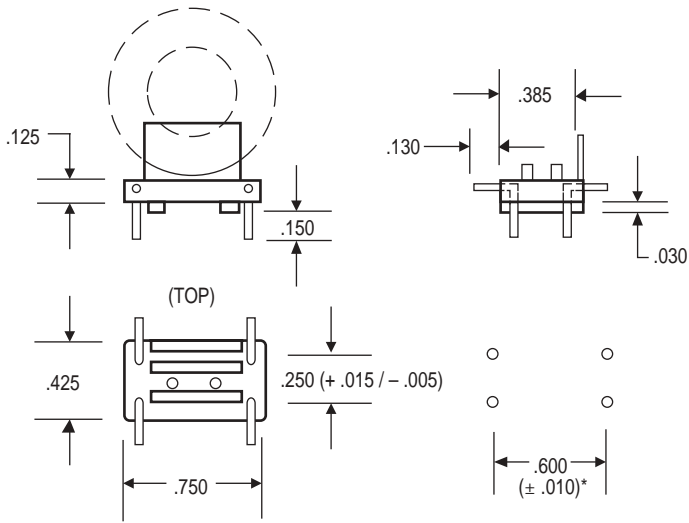


# VTM100-4



$\pm .010$  inches  
[mm] Actual Size

(\* Tolerance at end of terminal)

- Material:** Nylon 6/6 (Tan)
- Rating:** UL 94-VO
- 4 Terminals:** Copper Wire  
.040 Dia. (#18 AWG)  
100% Tin Plated
- Solderability:** Per MIL-STD-202 Method 208
- Packaging Tray:** TY85x116-A
- Application:** An industry standard for vertical mounting of wound toroids up to 1.15 inches in diameter. VTM 100-0 is available with .037 through holes instead of terminals.