

TM400-8

Material: Epoxy (Black)

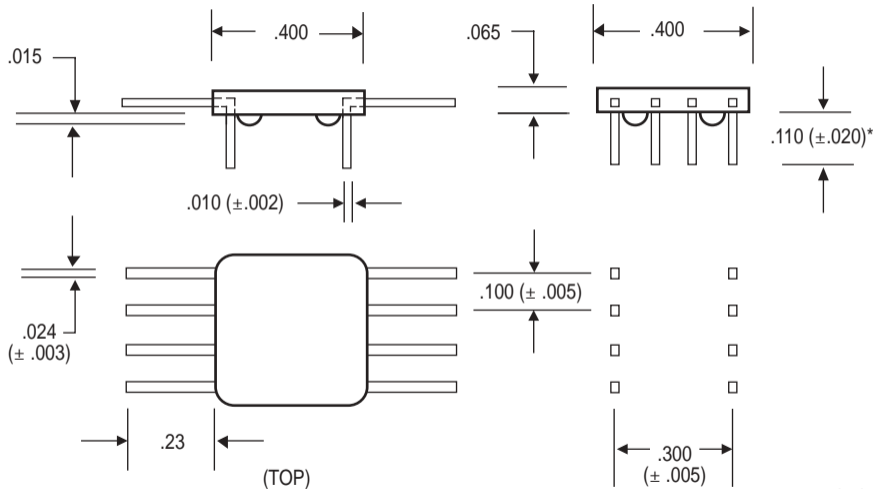
Rating: UL 94-VO

8 Terminals: Alloy 42
.024 x .010
Lead Frame
90/10 Tin Plated

Solderability: Per MIL-STD-202
Method 208

Packaging Tray: TY65x100-A

Application: For horizontal mounting of components and wound toroids up to .400 inches in diameter.



± .010 inches
[mm] 2X Size