

STM LC SERIES

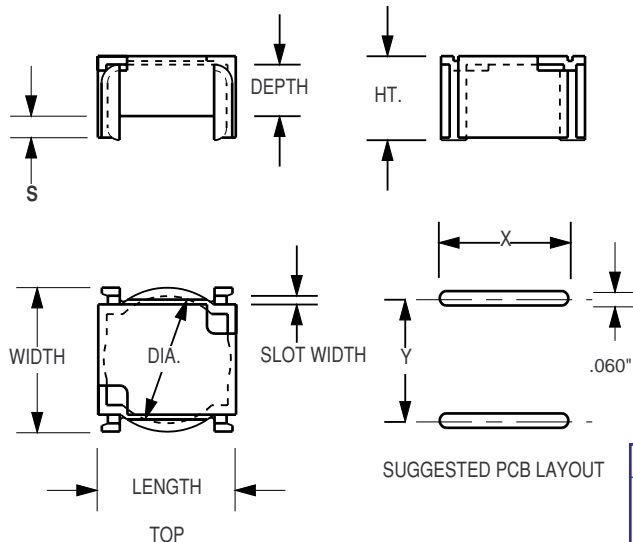
Material: Ryton R4
(Black)

Rating: UL 94-VO

2 Terminals: Self Leading

Application: The STM LC Series is for self leading surface mount low current inductors. The series will accommodate wound toroidal cores from .200 up to .610 in diameter and uses the toroid's winding leads to surface mount the toroid and case to the printed circuit board. The wound toroid's leads are held in position by the slots and channels incorporated in the mounting case.

This product and concept is the patented property of **Pulse Engineering Inc.**, San Diego, CA.



PART NO.	TRAY NO.
STM20LC-02	TY50x50-A
STM30LC-02	TY50x50-A
STM37LC-02	TY74x77-A
STM44LC-02	TY74x77-A
STM50LC-02	TY74x77-A

PART NO.	LENGTH	WIDTH	HT.	DIA.	DEPTH	S	SLOT	X	Y	RECOMMENDED WIRE SIZE
STM20LC-02	.330 [8.38]	.330 [8.38]	.240 [6.09]	.270 [6.85]	.135 [3.42]	.080 [2.03]	.024 [0.60]	.300 [7.62]	.270 [6.85]	#32 (.009) to #22 (.027)
STM30LC-02	.425 [10.79]	.430 [10.92]	.310 [7.87]	.375 [9.52]	.175 [4.44]	.100 [2.54]	.036 [0.91]	.400 [10.16]	.360 [9.14]	#32 (.009) to #20 (.034)
STM37LC-02	.545 [13.84]	.550 [13.97]	.310 [7.87]	.490 [12.44]	.175 [4.44]	.100 [2.54]	.036 [0.91]	.520 [13.20]	.460 [11.68]	#32 (.009) to #20 (.034)
STM44LC-02	.575 [14.60]	.600 [15.24]	.350 [8.89]	.530 [13.46]	.210 [5.33]	.100 [2.54]	.036 [0.91]	.550 [13.97]	.510 [12.95]	#30 (.011) to #20 (.034)
STM50LC-02	.650 [16.51]	.680 [17.27]	.350 [8.89]	.610 [15.49]	.210 [5.33]	.100 [2.54]	.036 [0.91]	.620 [15.74]	.590 [14.98]	#30 (.011) to #20 (.034)