

SMRF258-4

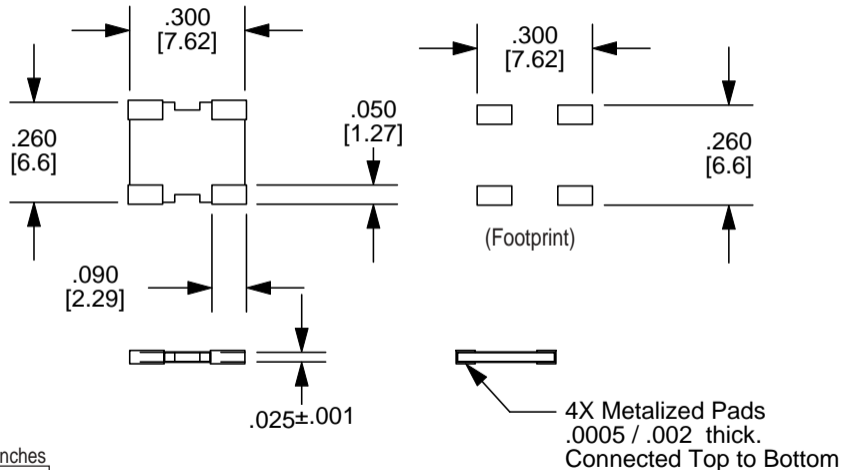
Material: Alumina Al_2O_3 >93%
(White)

4 Terminals: Nickel, Gold Plated

Solderability: Per MIL-STD-202
Method 208

Packaging Tray: TY50x50-A

Application: For Radio Frequency transformer and inductor applications requiring low dielectric loss. Ideal for small toroids or balun cores.



$\pm .010$ inches
[mm] 2X Size