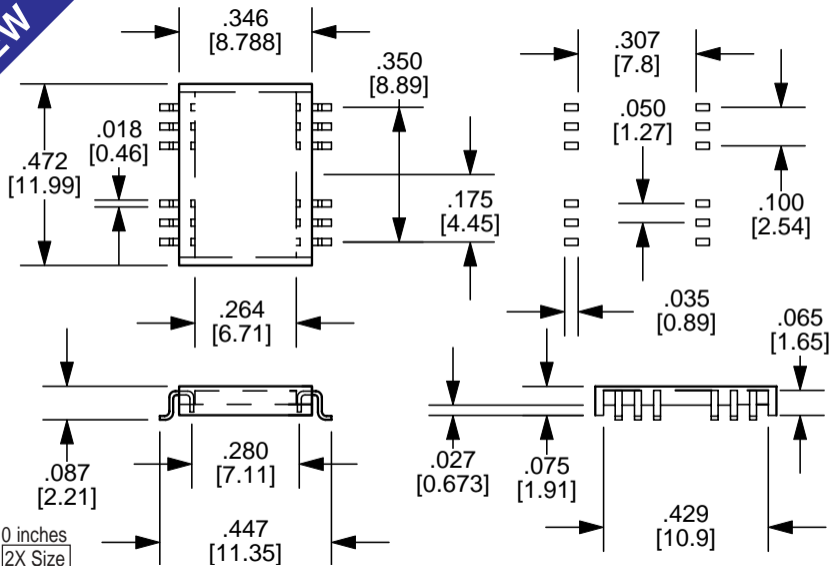


NEW**SMD261-12**

Material:	Diallyl Phthalate (Black)
Rating:	UL94-VO
12 Terminals:	Alloy 42 LeadFrame Tin Plated
Solderability:	Per MIL-STD-202 Method 208
Packaging Tray:	TY50x50-A
Application:	Gull wing surface mount. suitable for wound toroids up to .260 inches in diameter. The toroid is mounted under the mount in a cup like recess. This product is shipped from Lodestone Pacific in anti-static shipping tubes.