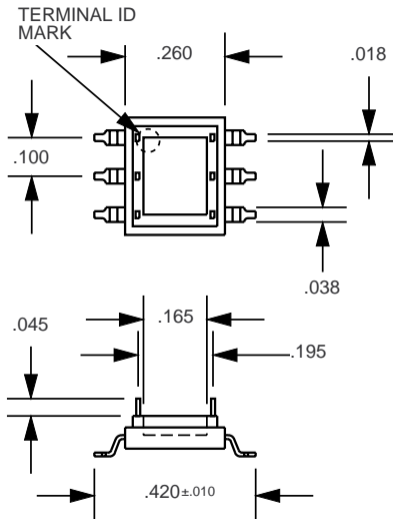
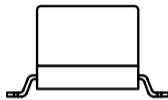


± .010 inches
[mm] 2X Size

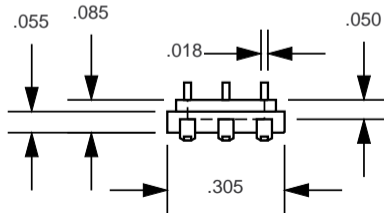
SMD165-6



COVERS AVAILABLE



Page 9



Material:	Diallyl Phthalate (Black)
Rating:	UL94-VO
6 Terminals:	Alloy 42 Leadframe 90/10 Tin Plate
Solderability:	Per MIL-STD-202 Method 208
Packaging Tray:	TY50x50-A
Application:	Gull wing surface mount version of the industry standard "dual-in-line" package. This product is shipped from Lodestone Pacific in anti-static shipping tubes. Encapsulation covers are available and sold separately. See page 9.