

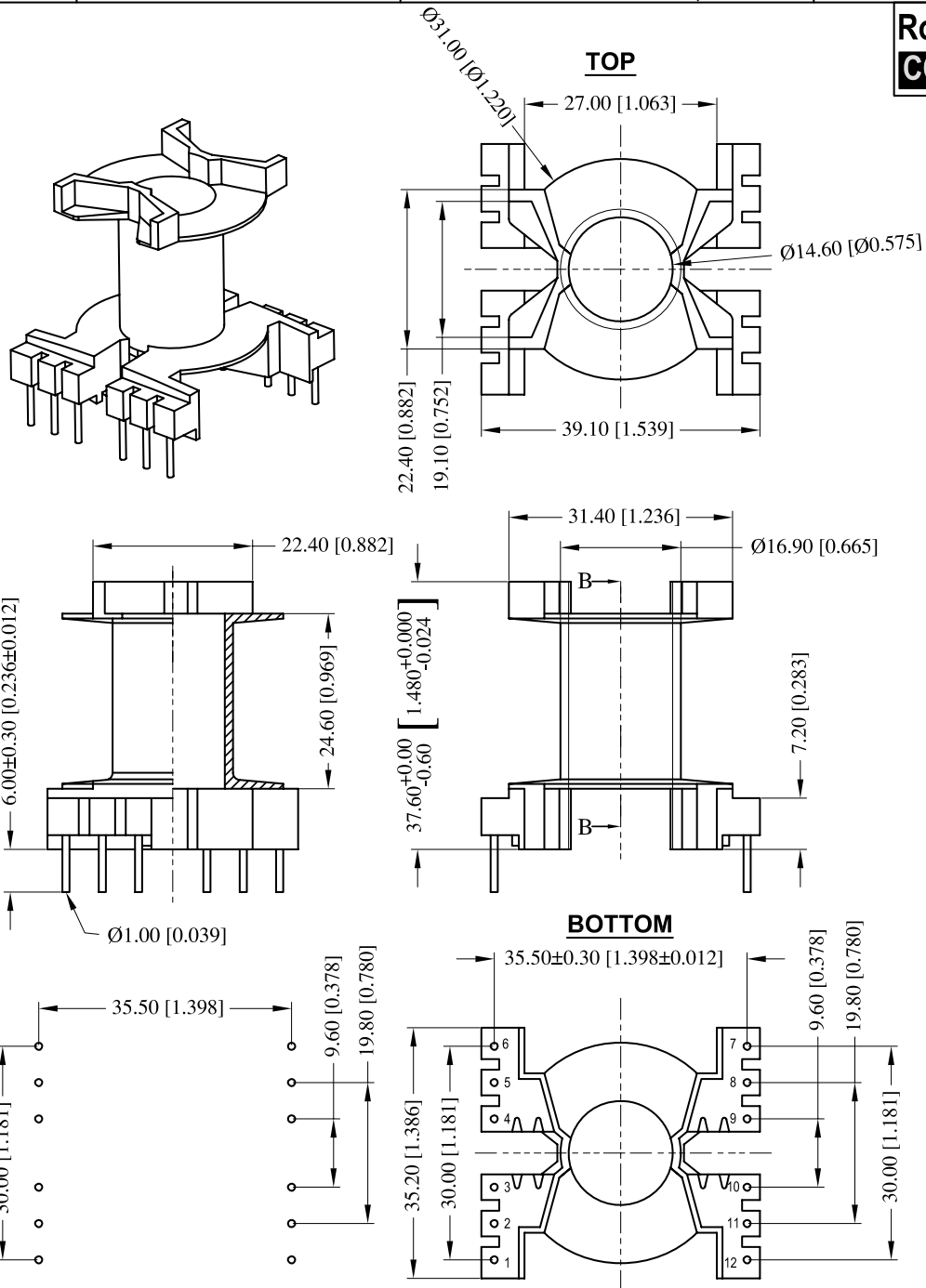
Core cross reference (x = material variation within a size)

Fair-Rite: 66XX353521	Micrometals:	Magnetics: XX-43535-UG
Nicera:	Epcos:	MMG:
Ferroxcube: PQ 35/35	TDK:	Phillips: PQ 35/35

Winding Area  
(mm<sup>2</sup>)

LODESTONE PACIFIC

B-PQ3535V-12-1-PET



© 2006

	Scale	Tolerance (Inches)	Tolerance (mm)	No. of Terminals	Terminal Plating	Terminal Material	Terminal Type	
	None	.XXX ± .008 .XX ± .012	.XX ± 0.20 .X ± 0.30	12	100% Tin	CP WIRE	Through Hole	
<p style="text-align: center;"><b>LODESTONE PACIFIC</b></p> <p>Phone:(714)970-0900.Fax:(714)970-0800 4769 Wesley Drive.Anaheim,California,92807.USA Web:www.lodestonepacific.com E-Mail:sales@lodestonepacific.com</p>					Molding Material	UL File No.	Rating	Class
					PET FR530(BK)	E41938	UL94-VO	N
					Lodestone's Part Number			Rev.
				<b>B-PQ3535V-12-1-PET</b>			<b>1</b>	