

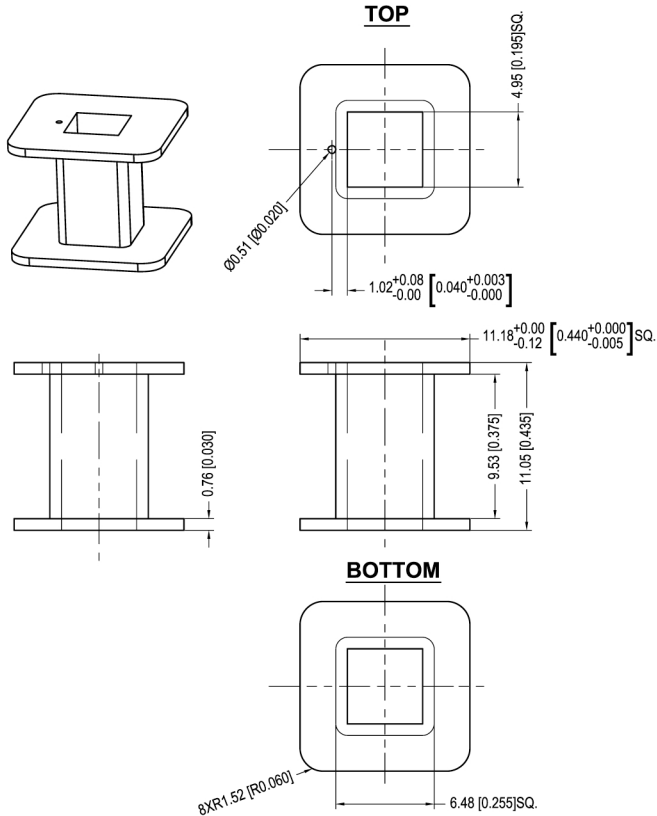
Core cross reference (x = material variation within a size)

Fair-Rite:	Micrometals:	Magnetics:
Nicera: FEE-16	Epcos: B66393	MMG:
Ferroxcube:	TDK:	

Winding Area
(mm²)

LODESTONE PACIFIC

B-EF16-0-1-LCP2



© 2006

	Scale	Tolerance (Inches)	Tolerance (mm)	No. of Terminals	Terminal Plating	Terminal Material	Terminal Type	
	None	.XXX ± .008 .XX ± .012	.XX ± 0.20 .X ± 0.30	N/A	100% Tin	N/A	N/A	
LODESTONE PACIFIC					Molding Material	UL File No.	Rating	Class
					LCP	E41938	UL94-VO	N
Lodestone's Part Number							Rev.	
B-EF16-0-1-LCP2							1	

Phone: (714)970-0900. Fax: (714)970-0800
 4769 Wesley Drive, Anaheim, California, 92807, USA
 Web: www.lodestonepacific.com E-Mail: sales@lodestonepacific.com