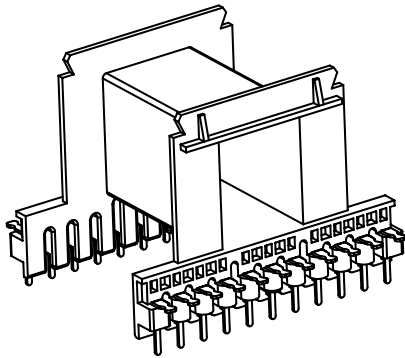
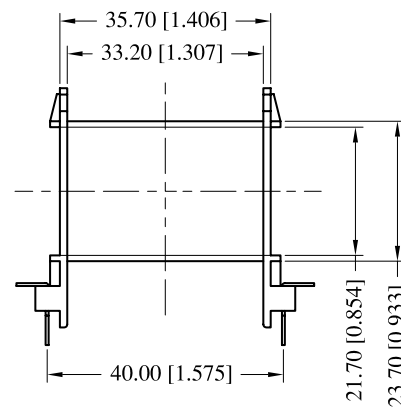
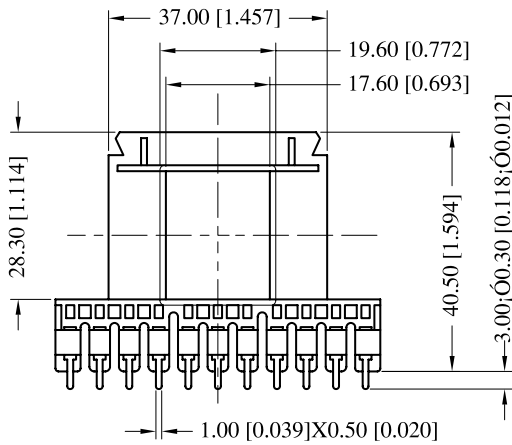
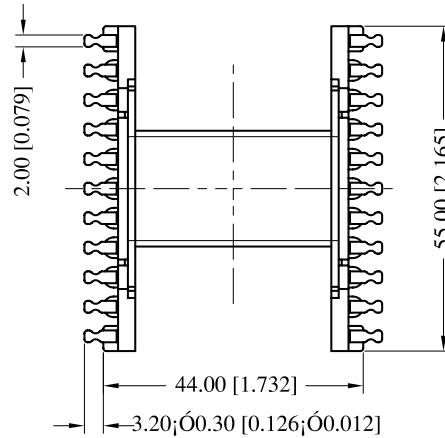


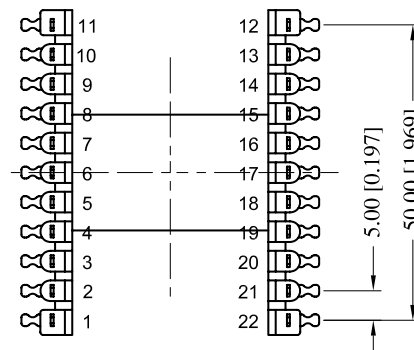
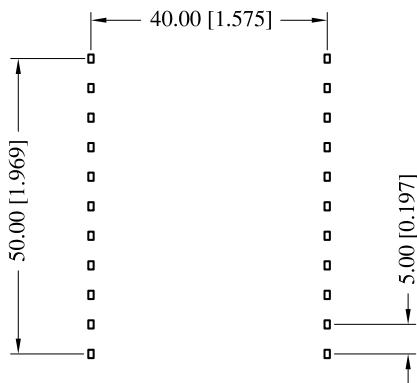
Core cross reference (x = material variation within a size)			Winding Area (mm ²)	LODESTONE PACIFIC B-EE55X21H-22-1-PET-ST
Fair-Rite: EE55/28/21	Micrometals: E220-XX	Magnetics: None		
Nicera: None	Epcos: None	MMG: 32-150-XX		
Ferroxcube: EE55/28/21-	TDK: XXXXEE55/55	Siemens: B66335		



TOP



BOTTOM



© 2006

	Scale	Tolerance (Inches)	Tolerance (mm)	No. of Terminals	Terminal Plating	Terminal Material	Terminal Type	
	None	.XXX ± .008 .XX ± .012	.XX ± 0.20 .X ± 0.30	22	100% Tin	Brass wire	L Type	
<p style="text-align: center;">LODESTONE PACIFIC</p> <p>Phone: (714)970-0900. Fax: (714)970-0800 4769 Wesley Drive, Anaheim, California, 92807, USA Web: www.lodestonepacific.com E-Mail: sales@lodestonepacific.com</p>					Molding Material	UL File No.	Rating	Class
					PET FR530	E69578	UL94-VO	N
Lodestone's Part Number								Rev.
B-EE55X21H-22-1-PET-ST								1