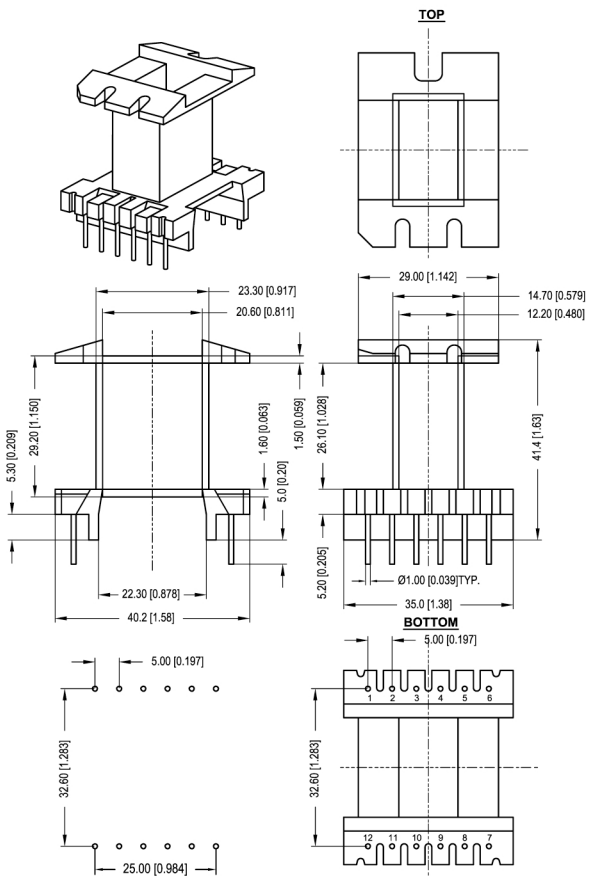


Core cross reference (x = material variation within a size)

Fair-Rite:	Micrometals: E168-XA	Magnetics: X-44022-EC
Nicera:	Epcos: B66329	MMG: 32-120-XX
Ferroxcube: E42/21/20-XXXX-XXXX	TDK: XXXXEE42/42/20-Z	

Winding Area
(mm²)

LODESTONE PACIFIC
B-EE42X20V-12-1-PH3



© 2006

	Scale	Tolerance (Inches)	Tolerance (mm)	No. of Terminals	Terminal Plating	Terminal Material	Terminal Type	
	None	.XXX ± .008 .XX ± .012	.XX ± 0.20 .X ± 0.30	12	100% Tin	CP Wire	Through Hole	
					Molding Material	UL File No.	Rating	Class
					Phenolic	E59481	UL94-VO	F
Phone:(714)970-0900.Fax:(714)970-0800 4769 Wesley Drive.Anaheim,California,92807.USA Web:www.lodestonepacific.com E-Mail:sales@lodestonepacific.com							Lodestone's Part Number B-EE42X20V-12-1-PH3	Rev. 1