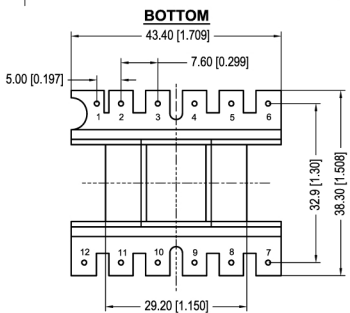
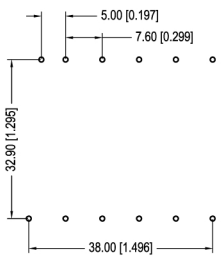
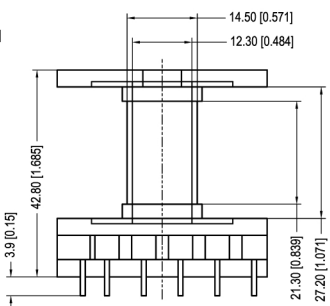
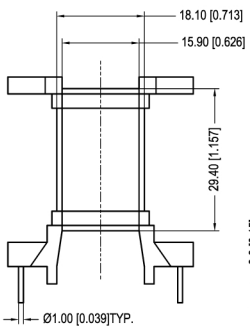
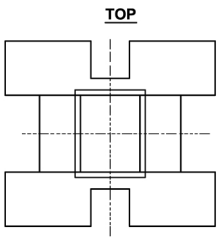
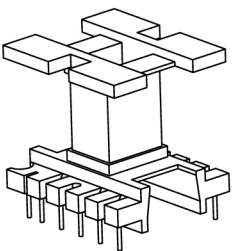


Core cross reference (x = material variation within a size)

Fair-Rite: 94XX036002	Micrometals: E168-X	Magnetics: X-44020-EC
Nicera:	Epos: B66325	MMG: 32-110-XX
Ferroxcube: E42/21/15-XXXX-XXXX	TDK: XXXEE42/42/15-Z	

Winding Area  
(mm<sup>2</sup>)

LODESTONE PACIFIC  
**B-EE42X15V-12-1-PH3**



© 2006

	Scale	Tolerance (Inches)	Tolerance (mm)	No. of Terminals	Terminal Plating	Terminal Material	Terminal Type	
	None	.XXX ± .008 .XX ± .012	.XX ± 0.20 .X ± 0.30	12	100% Tin	CP Wire	Through Hole	
<p style="text-align: center;"><b>LODESTONE PACIFIC</b></p> <p>Phone: (714)970-0900. Fax: (714)970-0800 4769 Wesley Drive, Anaheim, California, 92807, USA Web: www.lodestonepacific.com E-Mail: sales@lodestonepacific.com</p>					Molding Material	UL File No.	Rating	Class
					Phenolic	E59481	UL94-V0	F
Lodestone's Part Number							Rev.	
<b>B-EE42X15V-12-1-PH3</b>							<b>1</b>	