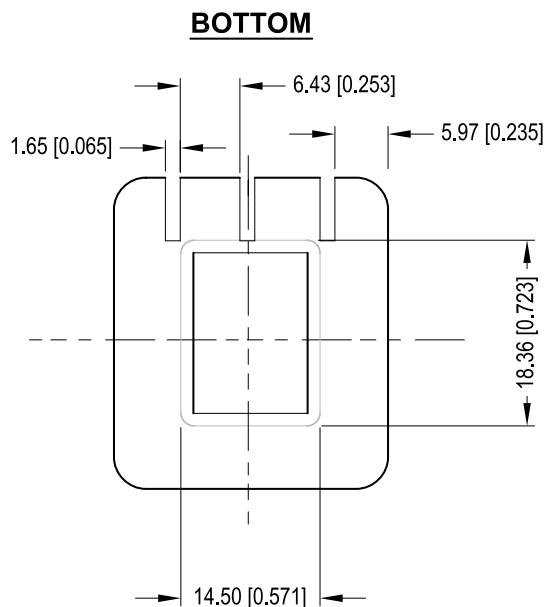
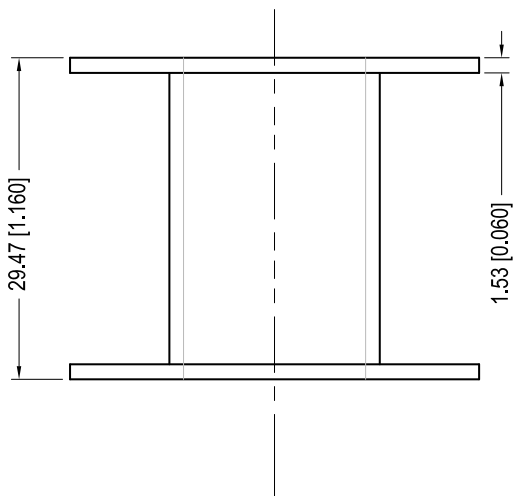
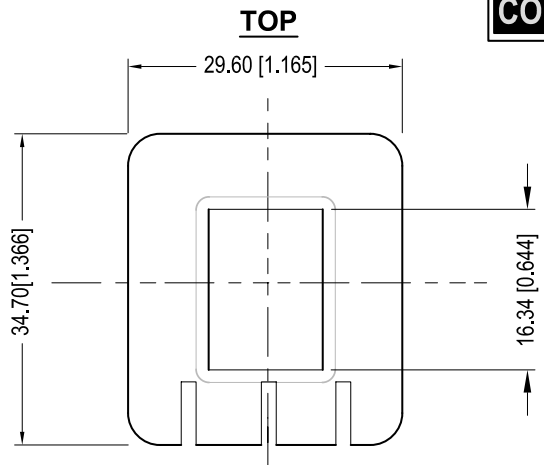
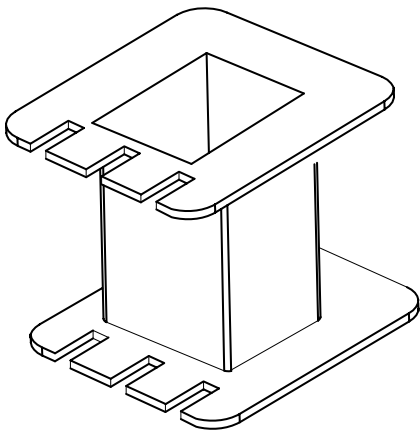


Core cross reference (x = material variation within a size)			Winding Area (mm ²)	LODESTONE PACIFIC
Fair-Rite: 94XX036002	Micrometals: E168	Magnetics: XX-44020-EC		B-EE42X15-0-1-GFN3
Nicera: None	Epcos: None	MMG: None		
Ferroxcube: 42X21X21	TDK: EE42/42/15	Siemens: B66315		



© 2006

	Scale	Tolerance (Inches)	Tolerance (mm)	No. of Terminals	Terminal Plating	Terminal Material	Terminal Type	
	None	.XXX ±.008 .XX ±.012	.XX ±0.20 .X ± 0.30	N/A	100% Tin	N/A	N/A	
<p style="text-align: center;">LODESTONE PACIFIC</p> <p>Phone:(714)970-0900.Fax:(714)970-0800 4769 Wesley Drive,Anaheim,California,92807,USA Web:www.lodestonepacific.com E-Mail:sales@lodestonepacific.com</p>					Molding Material	UL File No.	Rating	Class
					Zytel	E41938	UL94-V2	B
					Lodestone's Part Number			Rev.
B-EE42X15-0-1-GFN3			1					